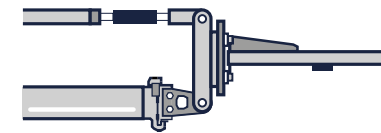


**TECHNICAL SPECIFICATIONS —
GF-9 CRANE SYSTEM**

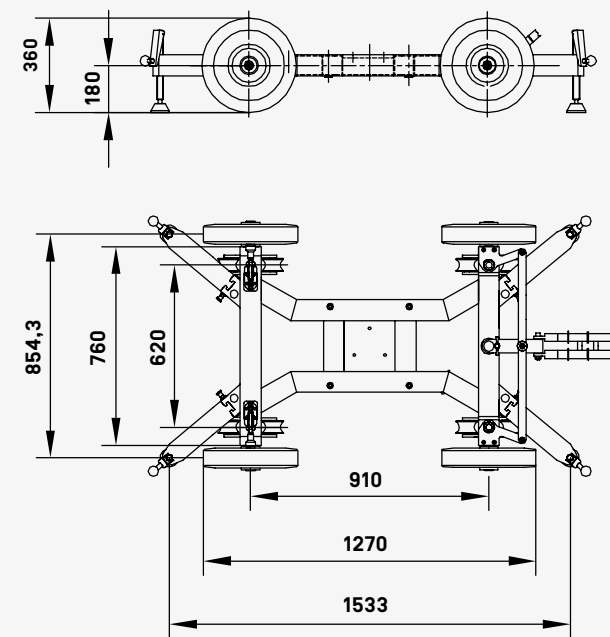
#		Max. Mitchell plate height	Lift range	Arm reach	Length of rear end	Front extensions	Rear extensions	Lift capacity [working load]	Counterweight required for max. lift capacity	Crane & base dolly weight excluding counterweight
V 1/150 D		376 cm / 12' 4"	359 cm / 11' 9"	235 cm / 7' 9"	248 cm / 8' 1"	1 x 150 cm / 5'	1 x 150 cm / 5'	45 kg / 99 lbs	28 kg / 62 lbs	204 kg / 449 lbs
V 2/150 D		466 cm / 15' 4"	539 cm / 17' 8"	335 cm / 11'	248 cm / 8' 1"	1 x 150 cm / 5' + 1 x 100 cm / 3' 3"	1 x 150 cm / 5'	45 kg / 99 lbs	64 kg / 141 lbs	210 kg / 462 lbs
V 3/150 D		511 cm / 16' 9"	628 cm / 20' 7"	385 cm / 12' 8"	248 cm / 8' 1"	2 x 150 cm / 5'	1 x 150 cm / 5'	45 kg / 99 lbs	84 kg / 185 lbs	213 kg / 470 lbs
V 4/150 D		601 cm / 19' 9"	808 cm / 26' 6"	485 cm / 15' 11"	248 cm / 8' 1"	2 x 150 cm / 5' + 1 x 100 cm / 3' 3"	1 x 150 cm / 5'	45 kg / 99 lbs	126 kg / 278 lbs	220 kg / 485 lbs
V 5/150 D		646 cm / 21' 2"	898 cm / 29' 6"	535 cm / 17' 7"	248 cm / 8' 1"	3 x 150 cm / 5'	1 x 150 cm / 5'	30 kg / 66 lbs	106 kg / 234 lbs	224 kg / 493 lbs
V 6/150 D		736 cm / 24' 2"	1078 cm / 35' 4"	635 cm / 20' 10"	248 cm / 8' 1"	3 x 150 cm / 5' + 1 x 100 cm / 3' 3"	1 x 150 cm / 5'	30 kg / 66 lbs	140 kg / 309 lbs	229 kg / 504 lbs
V 7/150 D		781 cm / 25' 7"	1168 cm / 38' 4"	685 cm / 22' 6"	248 cm / 8' 1"	4 x 150 cm / 5'	1 x 150 cm / 5'	30 kg / 66 lbs	204 kg / 450 lbs	234 kg / 516 lbs
V 8/150 D		871 cm / 28' 7"	1348 cm / 44' 3"	785 cm / 25' 9"	248 cm / 8' 1"	4 x 150 cm / 5' + 1 x 100 cm / 3' 3"	1 x 150 cm / 5'	30 kg / 66 lbs	224 kg / 494 lbs	240 kg / 530 lbs
V 9/150 D		916 cm / 30'	1437 cm / 47' 2"	835 cm / 27' 5"	248 cm / 8' 1"	5 x 150 cm / 5'	1 x 150 cm / 5'	30 kg / 66 lbs	238 kg / 525 lbs	250 kg / 551 lbs
V 10/150 D		1006 cm / 33'	1617 cm / 53' 1"	935 cm / 30' 8"	248 cm / 8' 1"	5 x 150 cm / 5' + 1 x 100 cm / 3' 3"	1 x 150 cm / 5'	25 kg / 55 lbs	252 kg / 556 lbs	255 kg / 562 lbs
V 1/100 D		376 cm / 12' 4"	359 cm / 11' 9"	235 cm / 7' 9"	198 cm / 6' 6"	1 x 150 cm / 5'	1 x 100 cm / 3' 3"	45 kg / 99 lbs	56 kg / 123 lbs	200 kg / 441 lbs
V 3/100 D		511 cm / 16' 9"	628 cm / 20' 7"	385 cm / 12' 8"	198 cm / 6' 6"	2 x 150 cm / 5'	1 x 100 cm / 3' 3"	45 kg / 99 lbs	126 kg / 278 lbs	210 kg / 462 lbs
V 5/100 D		646 cm / 21' 2"	898 cm / 29' 6"	535 cm / 17' 7"	198 cm / 6' 6"	3 x 150 cm / 5'	1 x 100 cm / 3' 3"	30 kg / 66 lbs	154 kg / 340 lbs	220 kg / 485 lbs
V 7/100 D		781 cm / 25' 7"	1168 cm / 38' 4"	685 cm / 22' 6"	198 cm / 6' 6"	4 x 150 cm / 5'	1 x 100 cm / 3' 3"	30 kg / 66 lbs	238 kg / 525 lbs	231 kg / 509 lbs
V 1/150 TG		342 cm / 11' 2"	319 cm / 10' 6"	235 cm / 7' 9"	225 cm / 7' 4"	1 x 150 cm / 5'	1 x 150 cm / 5'	45 kg / 99 lbs	42 kg / 93 lbs	95 kg / 208 lbs
V 2/150 TG		421 cm / 13' 10"	478 cm / 15' 8"	335 cm / 11'	225 cm / 7' 4"	1 x 150 cm / 5' + 1 x 100 cm / 3' 3"	1 x 150 cm / 5'	45 kg / 99 lbs	76 kg / 168 lbs	101 kg / 222 lbs
V 3/150 TG		461 cm / 15' 2"	558 cm / 18' 4"	385 cm / 12' 8"	225 cm / 7' 4"	2 x 150 cm / 5'	1 x 150 cm / 5'	45 kg / 99 lbs	95 kg / 209 lbs	104 kg / 229 lbs
V 4/150 TG		541 cm / 17' 9"	718 cm / 23' 7"	485 cm / 15' 11"	225 cm / 7' 4"	2 x 150 cm / 5' + 1 x 100 cm / 3' 3"	1 x 150 cm / 5'	45 kg / 99 lbs	137 kg / 302 lbs	111 kg / 245 lbs
V 5/150 TG		581 cm / 19' 1"	798 cm / 26' 2"	535 cm / 17' 7"	225 cm / 7' 4"	3 x 150 cm / 5'	1 x 150 cm / 5'	30 kg / 66 lbs	122 kg / 269 lbs	115 kg / 253 lbs
V 6/150 TG		661 cm / 21' 8"	957 cm / 31' 5"	635 cm / 20' 10"	225 cm / 7' 4"	3 x 150 cm / 5' + 1 x 100 cm / 3' 3"	1 x 150 cm / 5'	30 kg / 66 lbs	158 kg / 348 lbs	120 kg / 264 lbs
V 7/150 TG		701 cm / 23'	1037 cm / 34'	685 cm / 22' 6"	225 cm / 7' 4"	4 x 150 cm / 5'	1 x 150 cm / 5'	30 kg / 66 lbs	183 kg / 403 lbs	125 kg / 276 lbs
V 8/150 TG		781 cm / 25' 7"	1197 cm / 39' 3"	785 cm / 25' 9"	225 cm / 7' 4"	4 x 150 cm / 5' + 1 x 100 cm / 3' 3"	1 x 150 cm / 5'	30 kg / 66 lbs	227 kg / 500 lbs	131 kg / 289 lbs
V 9/150 TG		821 cm / 26' 11"	1277 cm / 41' 11"	835 cm / 27' 5"	225 cm / 7' 4"	5 x 150 cm / 5'	1 x 150 cm / 5'	30 kg / 66 lbs	247 kg / 545 lbs	141 kg / 310 lbs
V 10/150 TG		900 cm / 29' 6"	1436 cm / 47' 2"	935 cm / 30' 8"	225 cm / 7' 4"	5 x 150 cm / 5' + 1 x 100 cm / 3' 3"	1 x 150 cm / 5'	25 kg / 55 lbs	260 kg / 573 lbs	146 kg / 321 lbs
V 1/100 TG		362 cm / 11' 10"	359 cm / 11' 9"	235 cm / 7' 9"	175 cm / 5' 9"	1 x 150 cm / 5'	1 x 100 cm / 3' 3"	45 kg / 99 lbs	63 kg / 139 lbs	91 kg / 201 lbs
V 3/100 TG		496 cm / 16' 3"	628 cm / 20' 7"	385 cm / 12' 8"	175 cm / 5' 9"	2 x 150 cm / 5'	1 x 100 cm / 3' 3"	45 kg / 99 lbs	135 kg / 298 lbs	101 kg / 222 lbs
V 5/100 TG		631 cm / 20' 8"	898 cm / 29' 6"	535 cm / 17' 7"	175 cm / 5' 9"	3 x 150 cm / 5'	1 x 100 cm / 3' 3"	30 kg / 66 lbs	172 kg / 379 lbs	111 kg / 245 lbs
V 7/100 TG		766 cm / 25' 2"	1168 cm / 38' 4"	685 cm / 22' 6"	175 cm / 5' 9"	4 x 150 cm / 5'	1 x 100 cm / 3' 3"	30 kg / 66 lbs	251 kg / 553 lbs	122 kg / 268 lbs



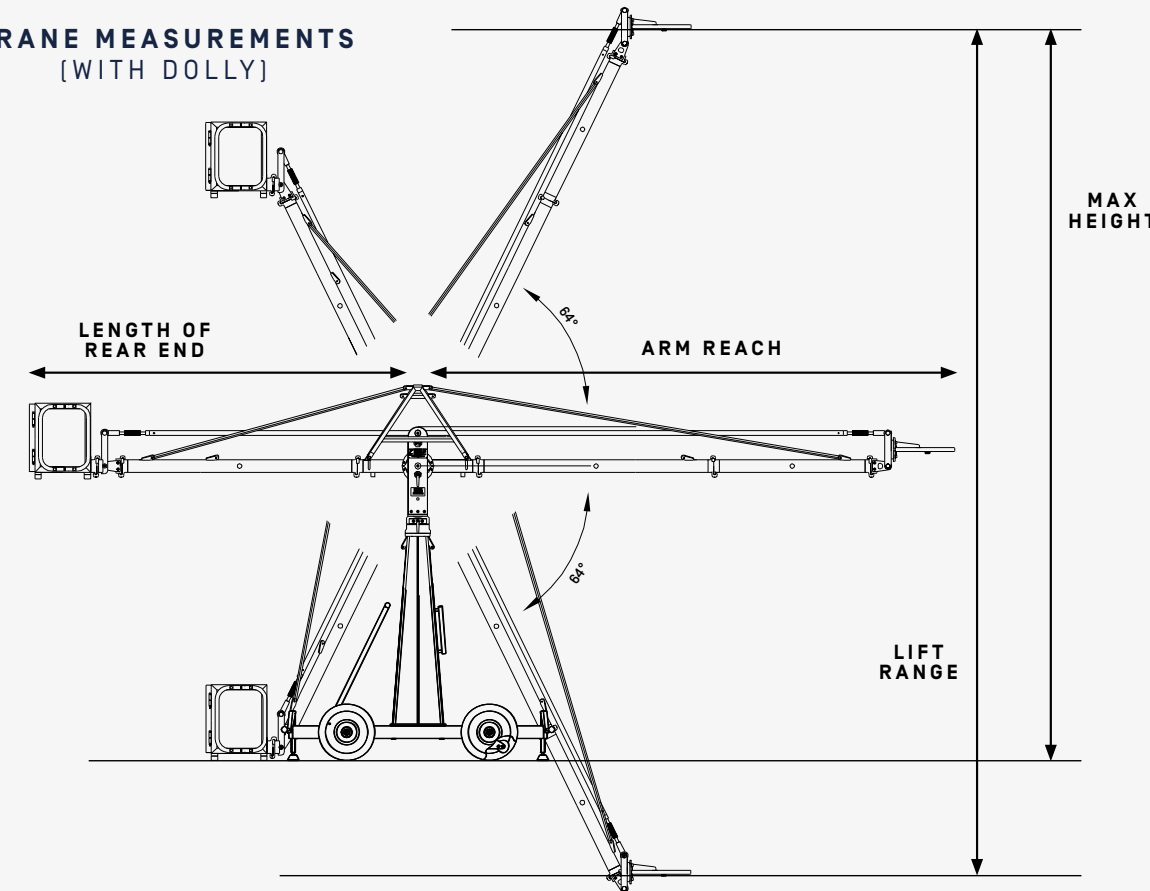
REMOTE OPERATION

DOLLY DIMENSIONS (IN MM)
(IDENTICAL FOR ALL DOLLY VERSIONS)

WEIGHT – 112 kg / 247 lbs

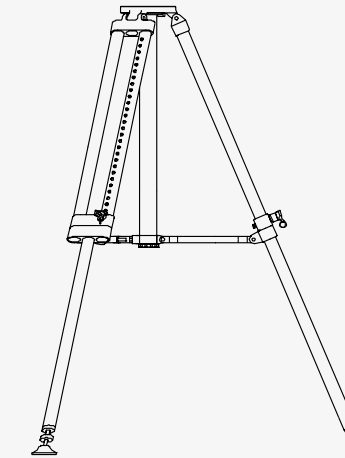


CRANE MEASUREMENTS
(WITH DOLLY)

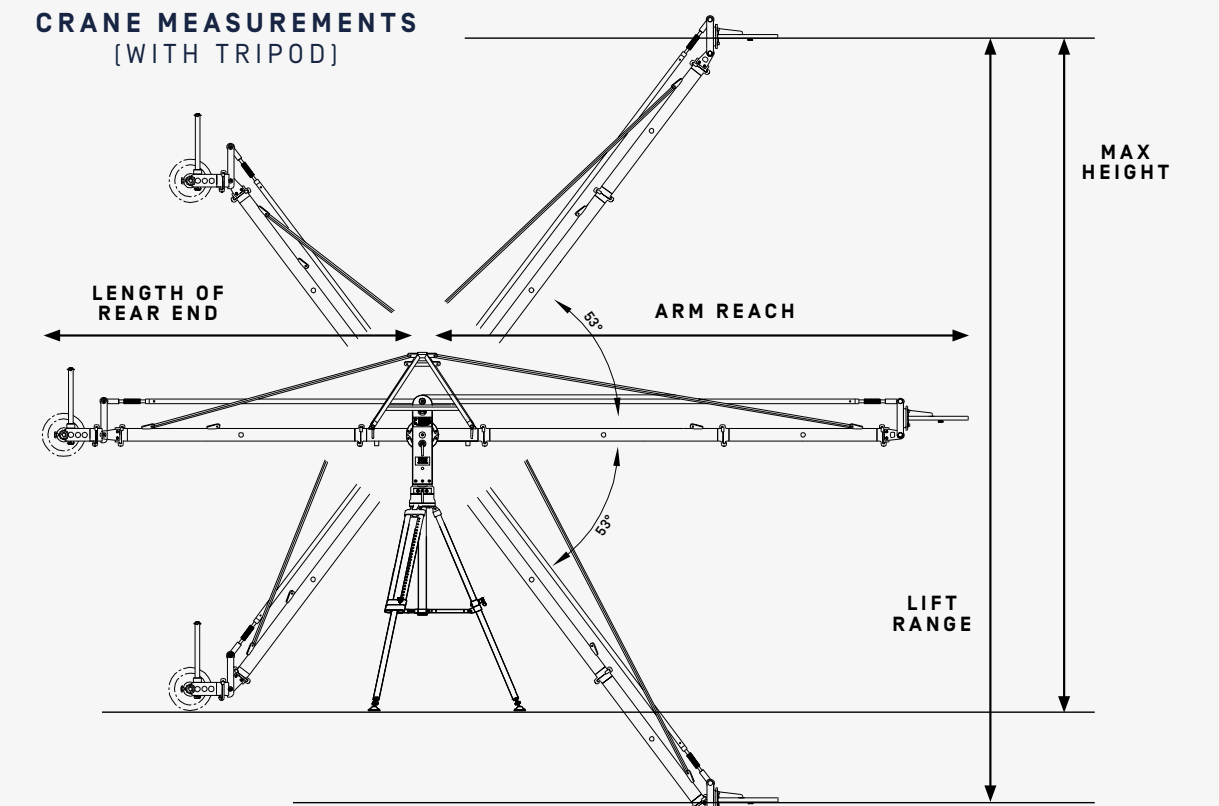


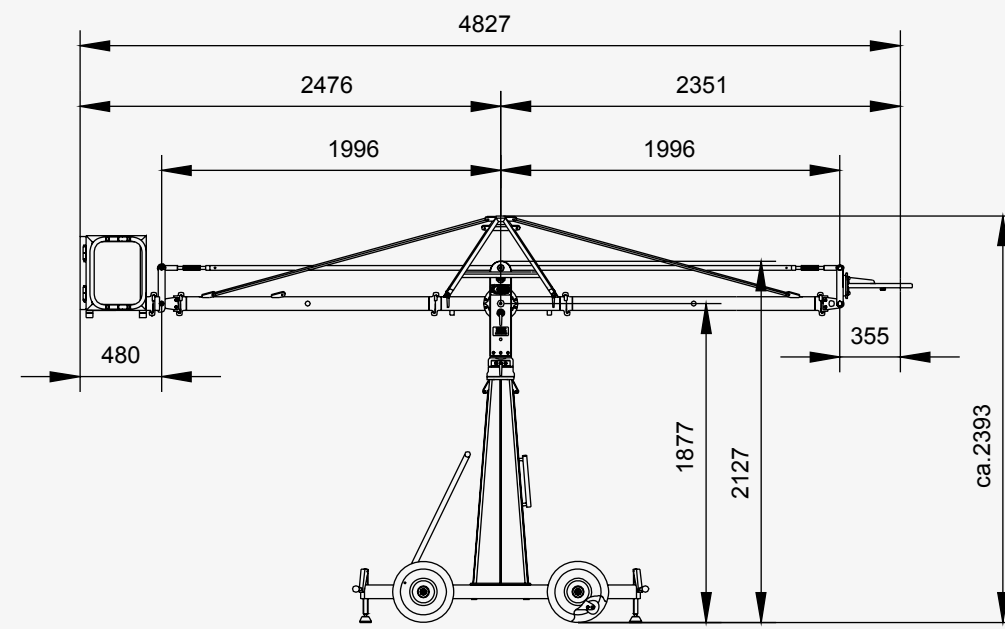
TRIPOD SPECS
(IDENTICAL FOR ALL TRIPOD VERSIONS)

WEIGHT – 16 kg / 35 lbs

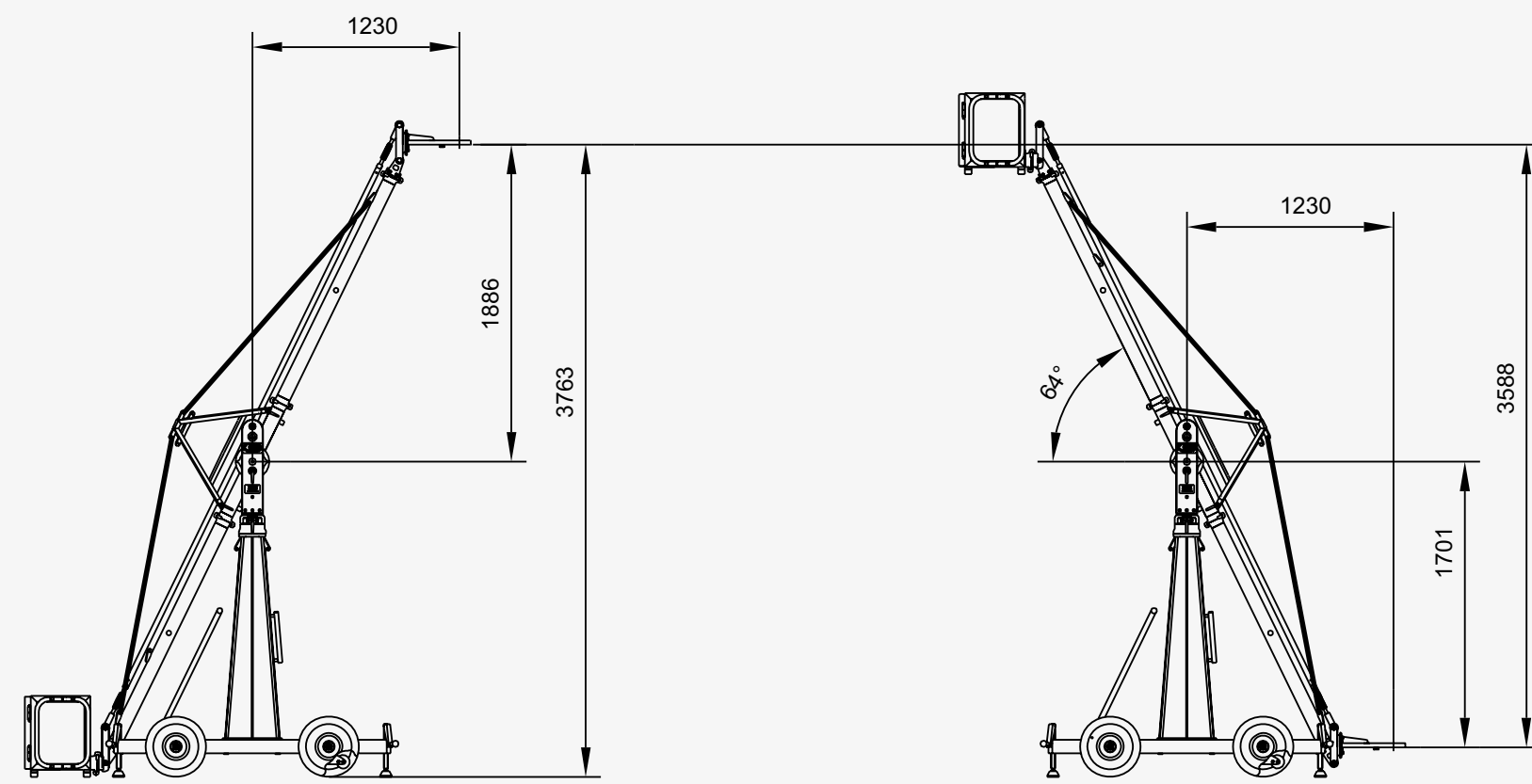


CRANE MEASUREMENTS
(WITH TRIPOD)



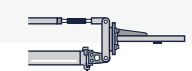
V 1/150 D


Horizontal position



Highest position

Lowest position



FRONT EXTENSIONS
1 x 150 cm / 5'

REAR EXTENSIONS
1 x 150 cm / 5'

MAX HEIGHT
376 cm / 12' 4"

LIFT RANGE
359 cm / 11' 9"

ARM REACH
235 cm / 7' 9"

LENGTH OF REAR END
248 cm / 8' 1"

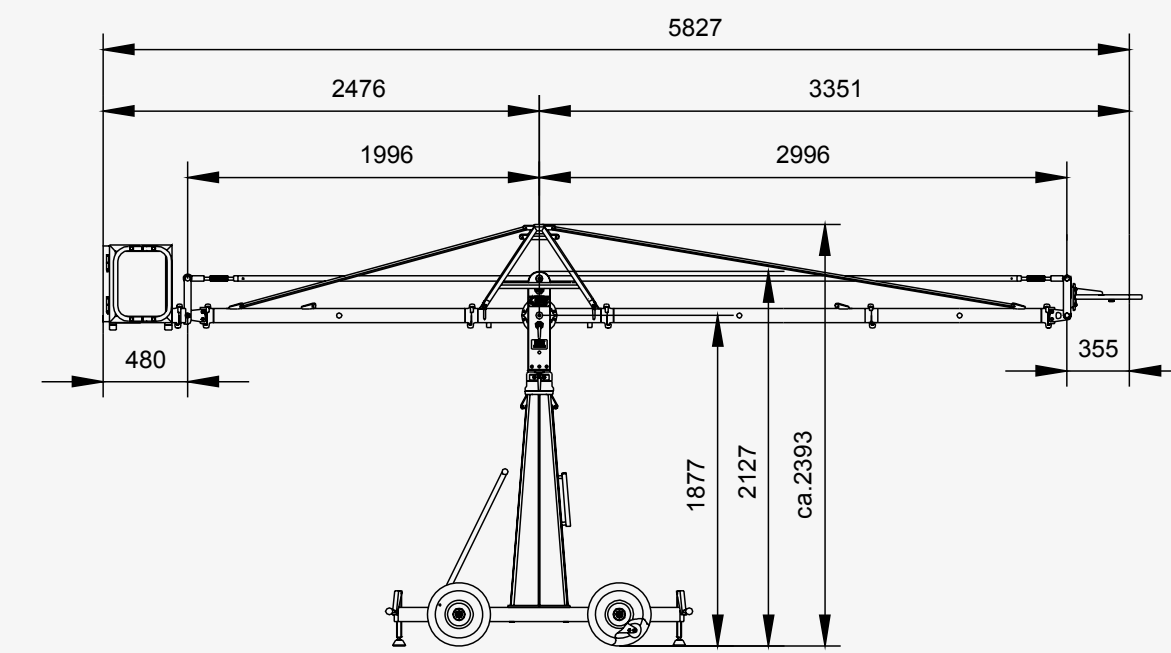
PIVOT HEIGHT
188 cm / 6' 2"

LIFT CAPACITY
45 kg / 99 lbs

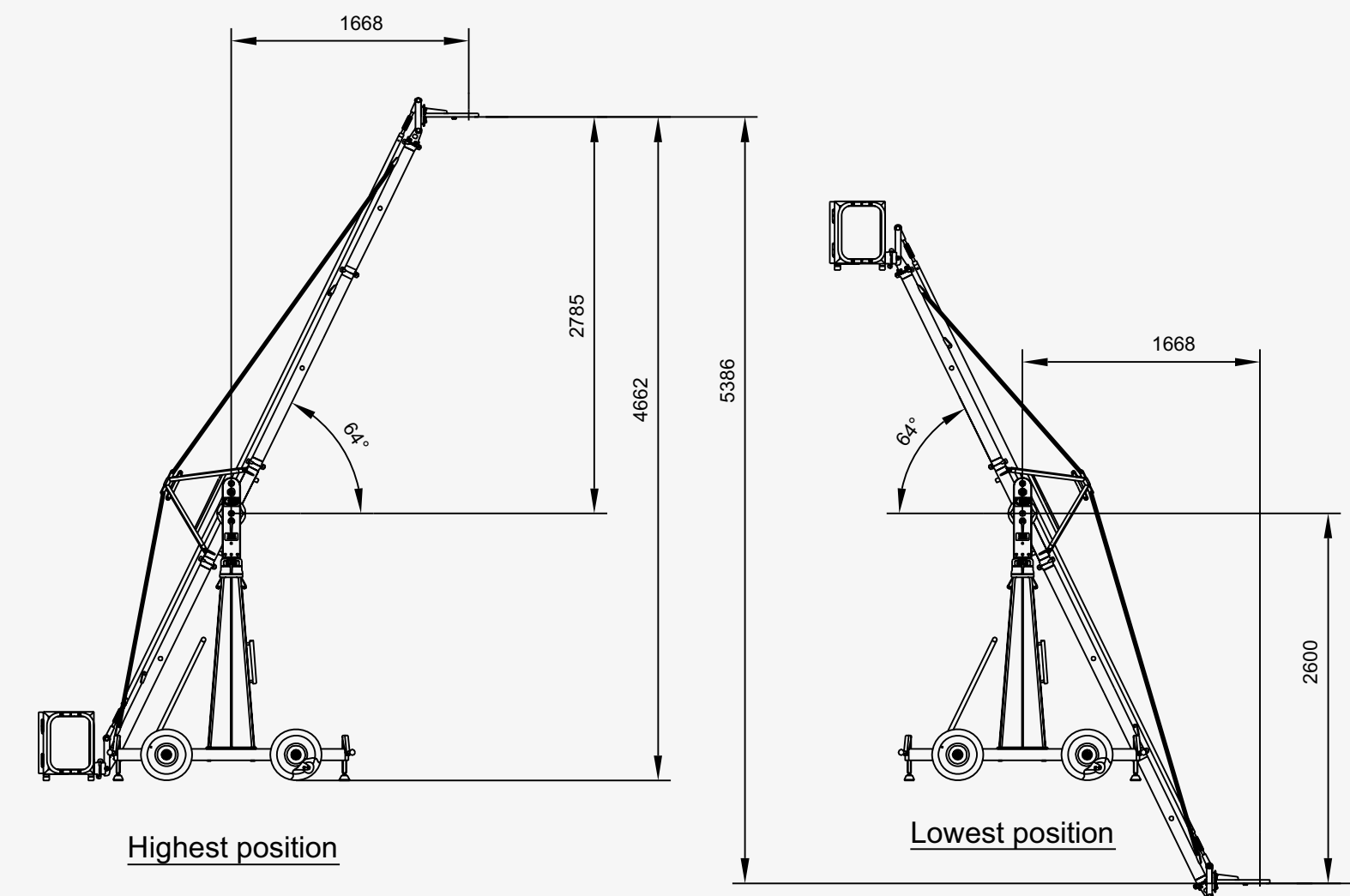
COUNTERWEIGHT REQUIRED TO BALANCE EMPTY ARM
-

FOR MAX LIFT CAPACITY
28 kg / 62 lbs

CRANE & BASE DOLLY WEIGHT [EXCL. COUNTERWEIGHT]
204 kg / 449 lbs

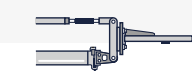
V 2/150 D


Horizontal position



Highest position

Lowest position



FRONT EXTENSIONS
1 x 150 cm / 5' + 1 x 100 cm / 3' 3"

REAR EXTENSIONS
1 x 150 cm / 5'

MAX HEIGHT
466 cm / 15' 4"

LIFT RANGE
539 cm / 17' 8"

ARM REACH
335 cm / 11'

LENGTH OF REAR END
248 cm / 8' 1"

PIVOT HEIGHT
188 cm / 6' 2"

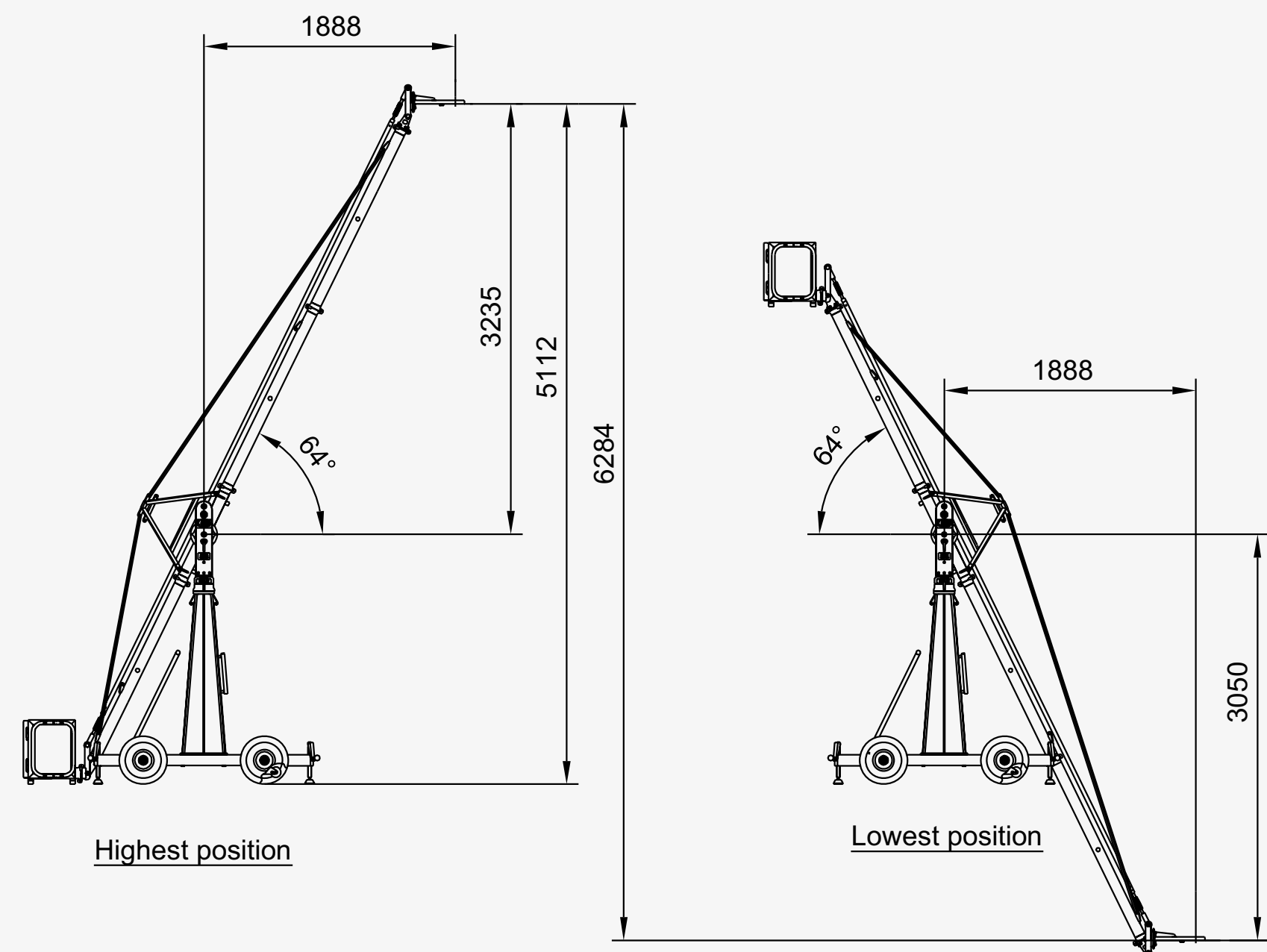
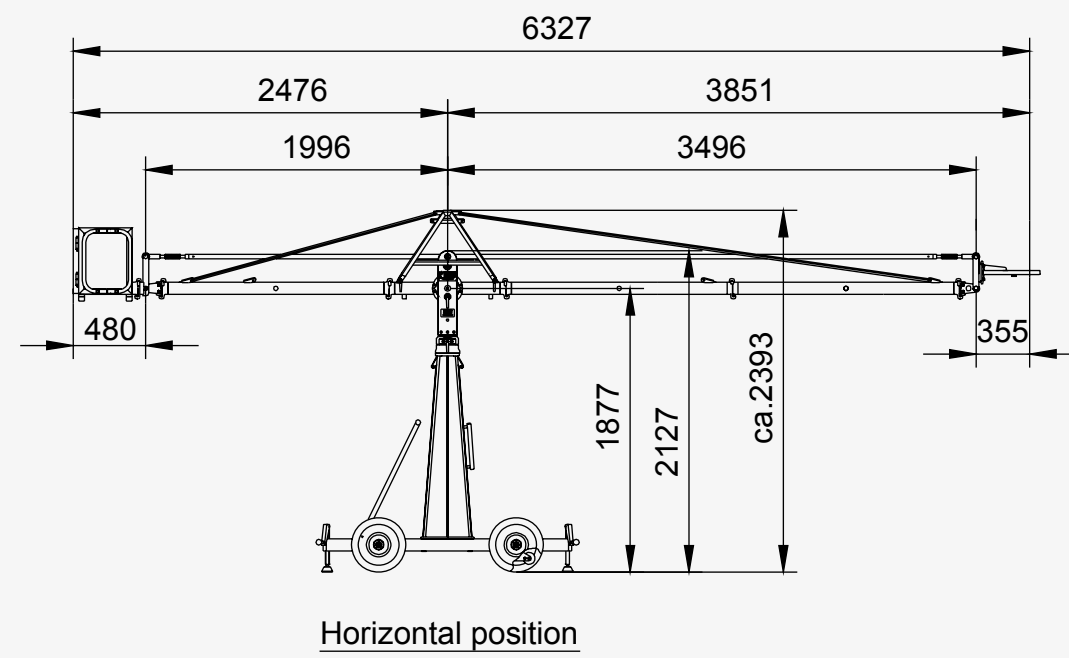
LIFT CAPACITY
45 kg / 99 lbs

COUNTERWEIGHT REQUIRED TO BALANCE EMPTY ARM
-

FOR MAX LIFT CAPACITY
64 kg / 141 lbs

CRANE & BASE DOLLY WEIGHT [EXCL. COUNTERWEIGHT]
210 kg / 462 lbs

Measurements in mm, unless otherwise specified

V 3/150 D

FRONT EXTENSIONS

2 x 150 cm / 5'

REAR EXTENSIONS

1 x 150 cm / 5'

MAX HEIGHT

511 cm / 16' 9"

LIFT RANGE

628 cm / 20' 7"

ARM REACH

385 cm / 12' 8"

LENGTH OF REAR END

248 cm / 8' 1"

PIVOT HEIGHT

188 cm / 6' 2"

LIFT CAPACITY

45 kg / 99 lbs

COUNTERWEIGHT REQUIRED
TO BALANCE EMPTY ARM

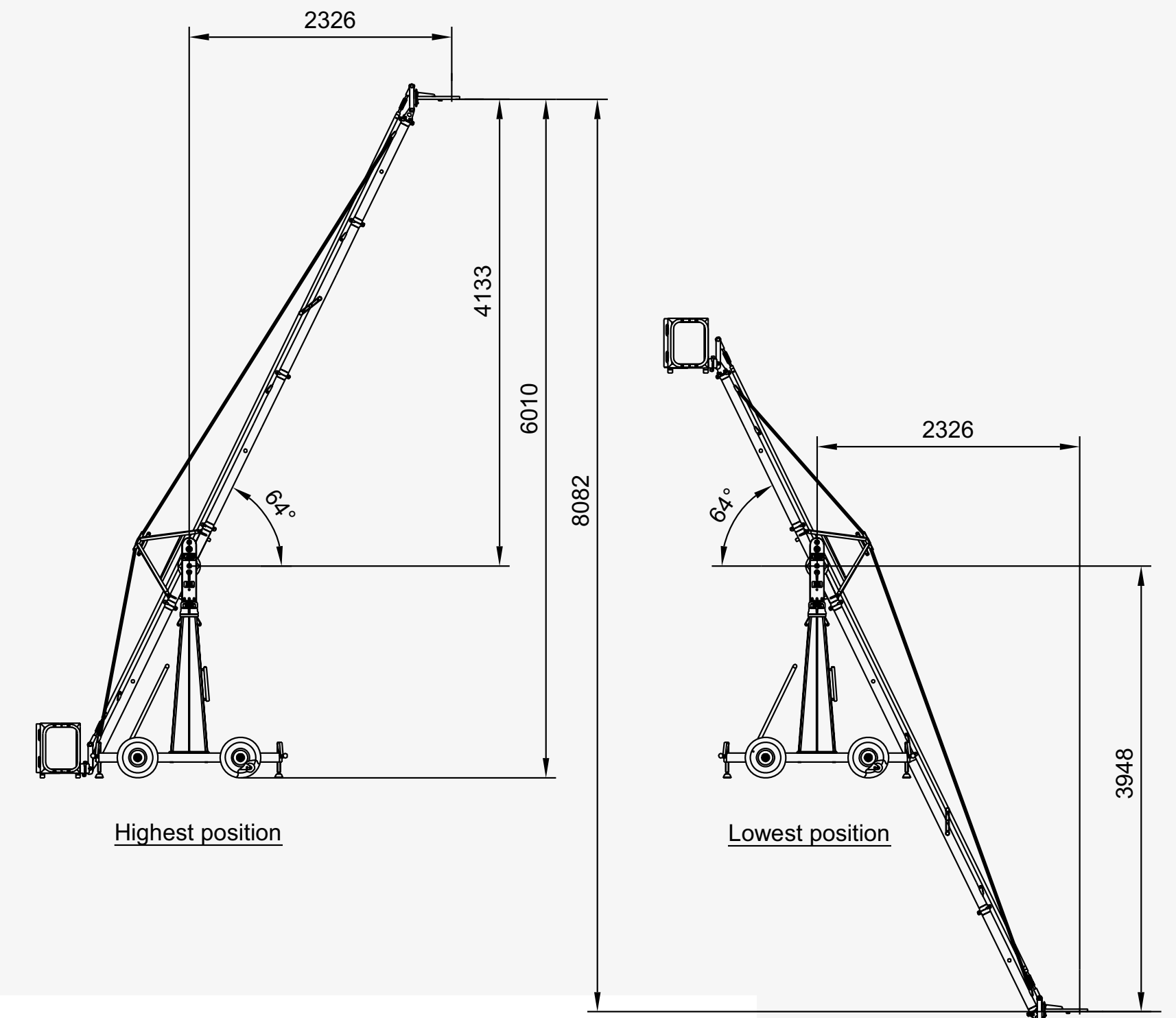
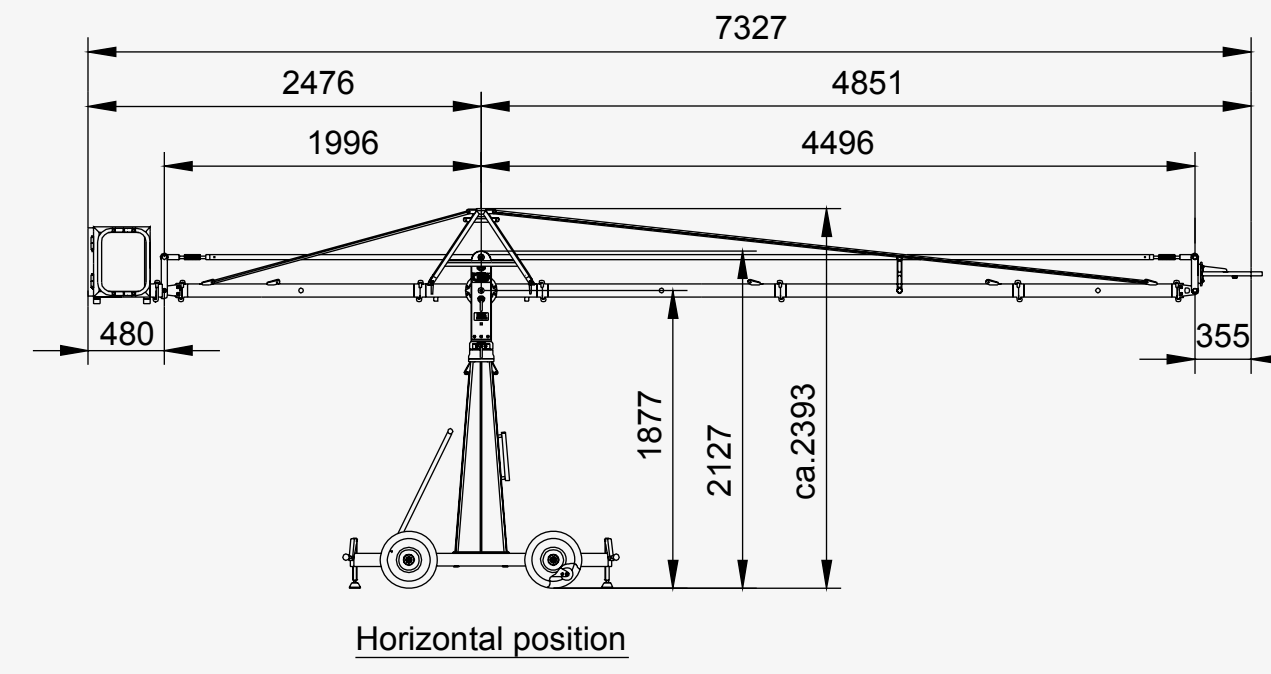
8 kg / 18 lbs

FOR MAX LIFT CAPACITY

84 kg / 185 lbs

CRANE & BASE DOLLY WEIGHT
[EXCL. COUNTERWEIGHT]

213 kg / 470 lbs

V 4/150 D

FRONT EXTENSIONS

2 x 150 cm / 5' + 1 x 100 cm / 3' 3"

REAR EXTENSIONS

1 x 150 cm / 5'

MAX HEIGHT

601 cm / 19' 9"

LIFT RANGE

808 cm / 26' 6"

ARM REACH

485 cm / 15' 11"

LENGTH OF REAR END

248 cm / 8' 1"

PIVOT HEIGHT

188 cm / 6' 2"

LIFT CAPACITY

45 kg / 99 lbs

COUNTERWEIGHT REQUIRED
TO BALANCE EMPTY ARM

22 kg / 49 lbs

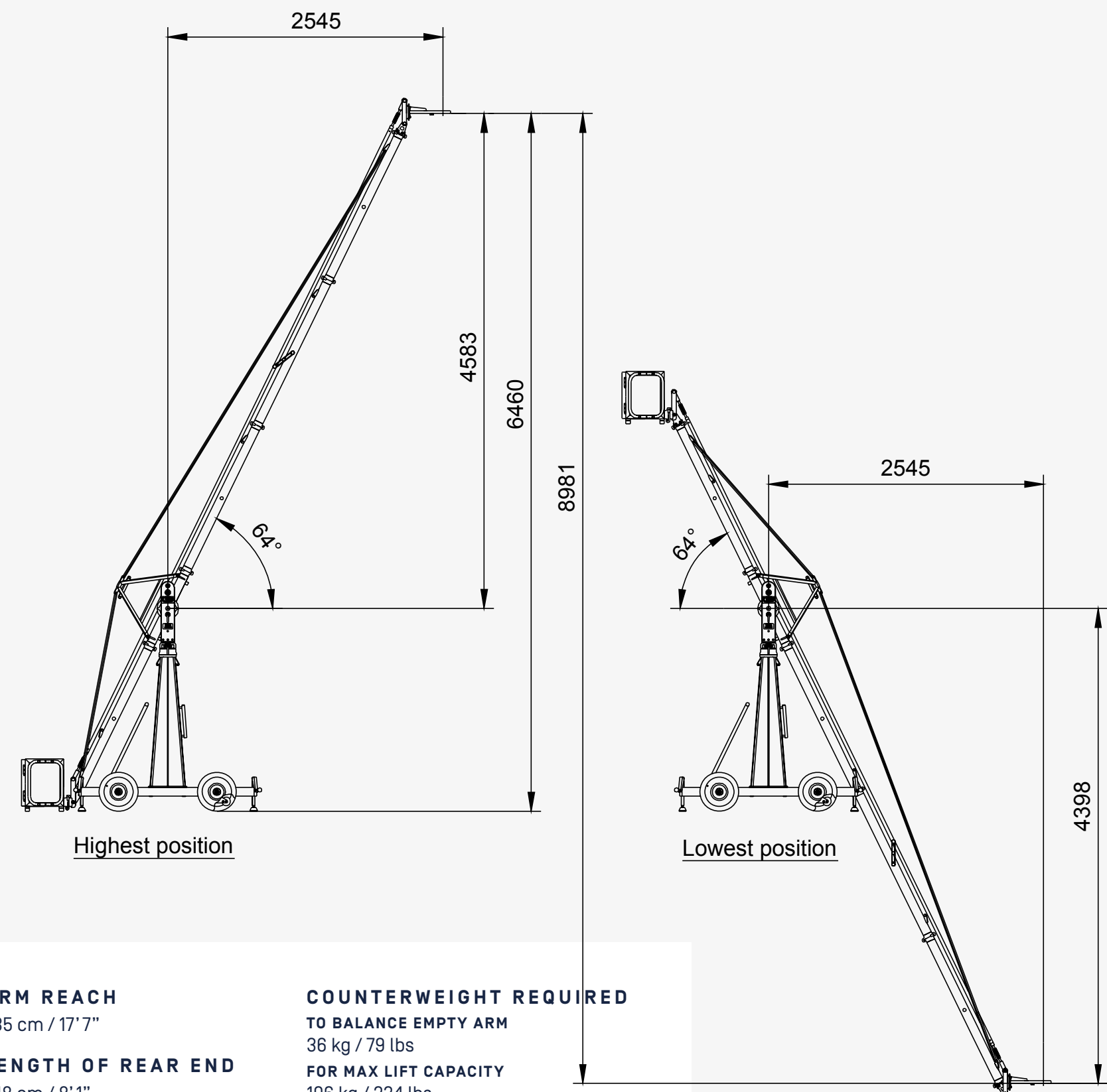
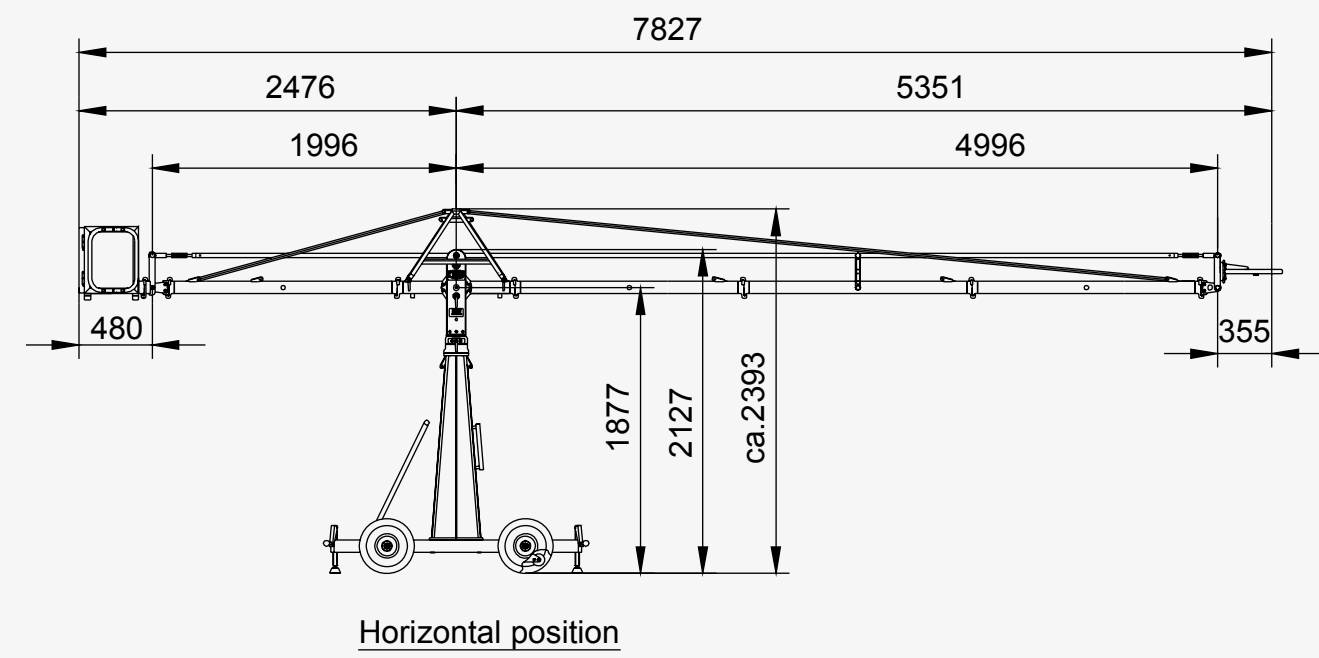
FOR MAX LIFT CAPACITY

126 kg / 278 lbs

CRANE & BASE DOLLY WEIGHT
[EXCL. COUNTERWEIGHT]

220 kg / 485 lbs

Measurements in mm, unless otherwise specified

V 5/150 D


FRONT EXTENSIONS
3 x 150 cm / 5'

REAR EXTENSIONS
1 x 150 cm / 5'

MAX HEIGHT
646 cm / 21'2"

LIFT RANGE
898 cm / 29'6"

ARM REACH
535 cm / 17'7"

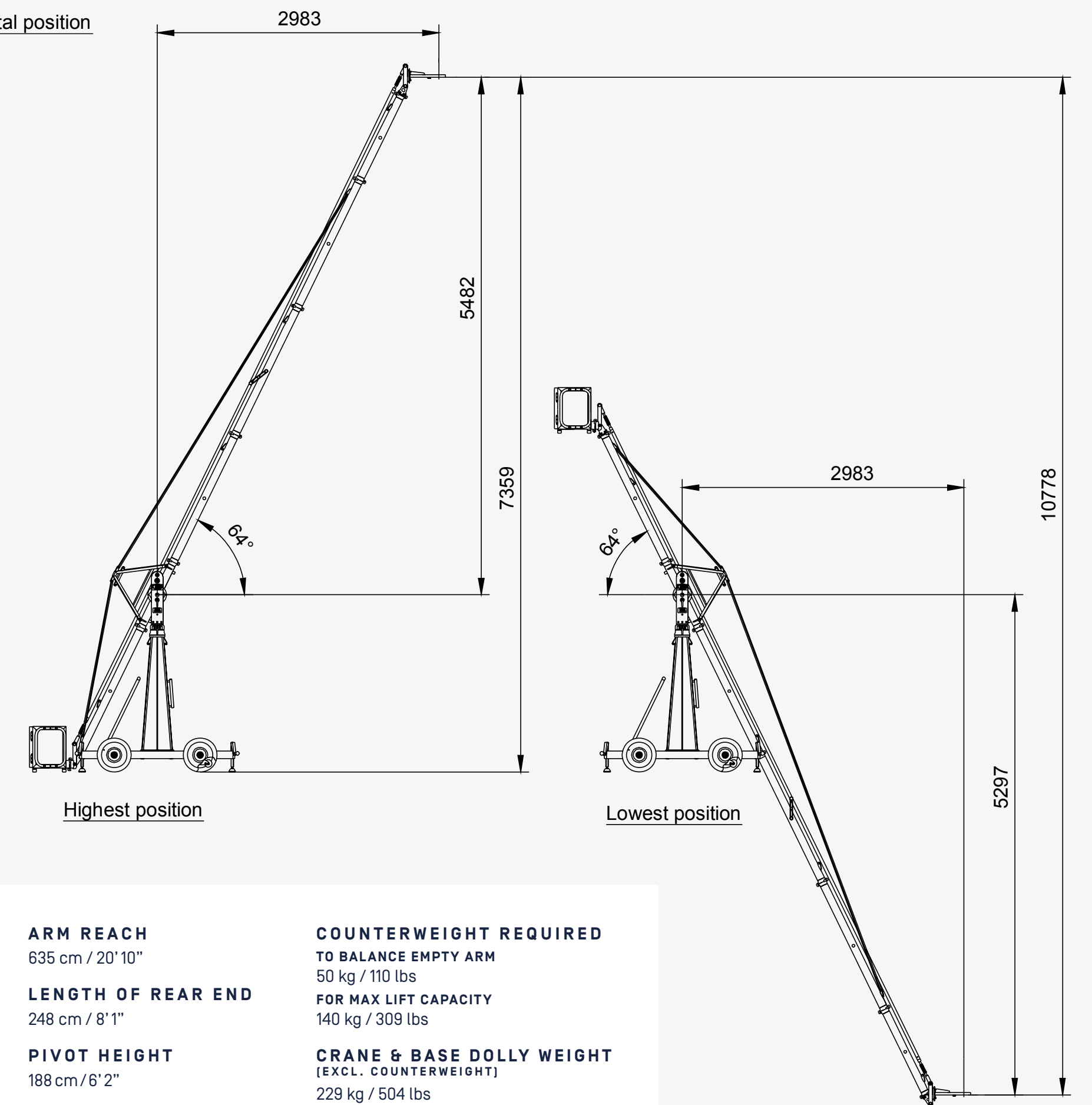
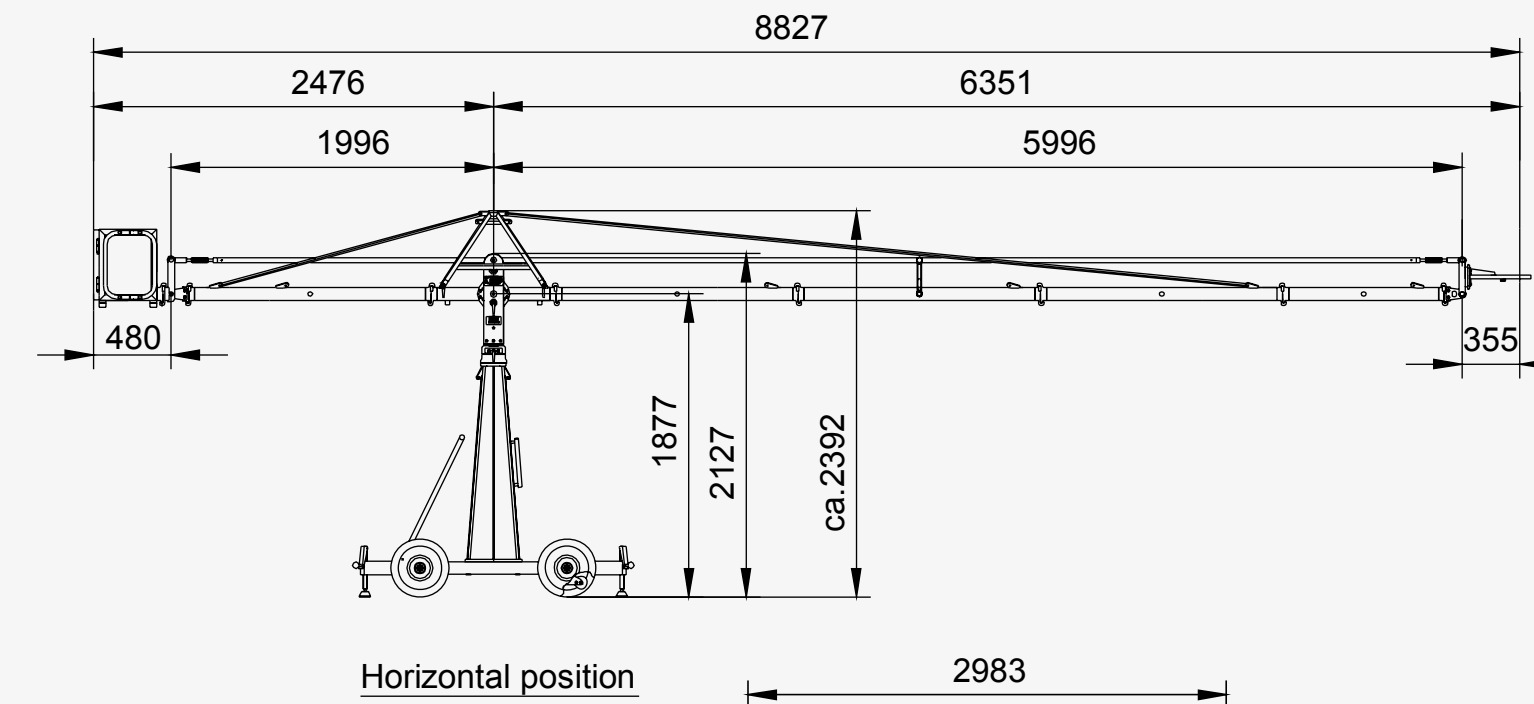
LENGTH OF REAR END
248 cm / 8'1"

PIVOT HEIGHT
188 cm / 6'2"

LIFT CAPACITY
30 kg / 66 lbs

COUNTERWEIGHT REQUIRED TO BALANCE EMPTY ARM FOR MAX LIFT CAPACITY
106 kg / 234 lbs

CRANE & BASE DOLLY WEIGHT [EXCL. COUNTERWEIGHT]
224 kg / 493 lbs

V 6/150 D


FRONT EXTENSIONS
3 x 150 cm / 5' + 1 x 100 cm / 3'3"

REAR EXTENSIONS
1 x 150 cm / 5'

MAX HEIGHT
736 cm / 24'2"

LIFT RANGE
1078 cm / 35'4"

ARM REACH
635 cm / 20'10"

LENGTH OF REAR END
248 cm / 8'1"

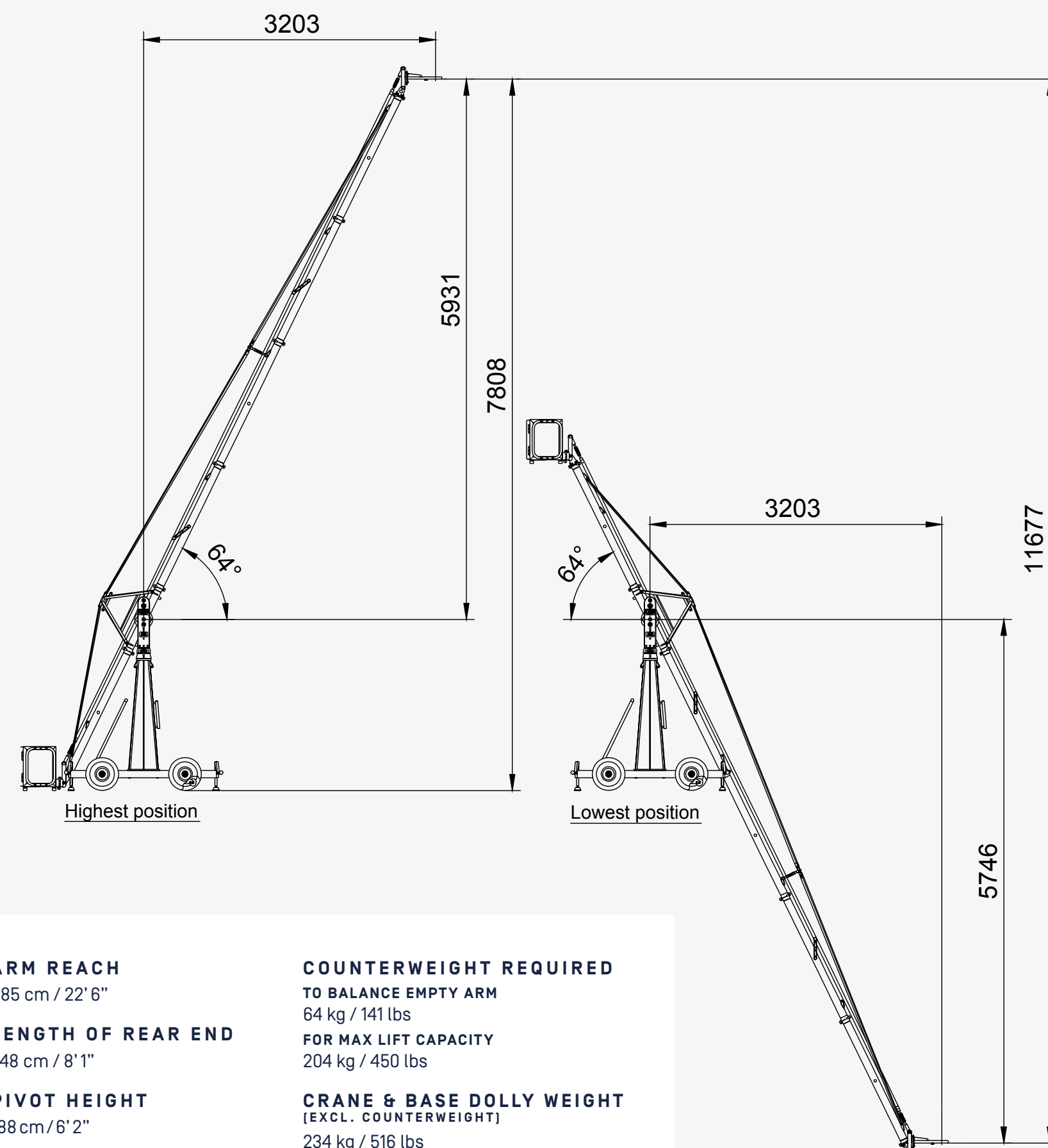
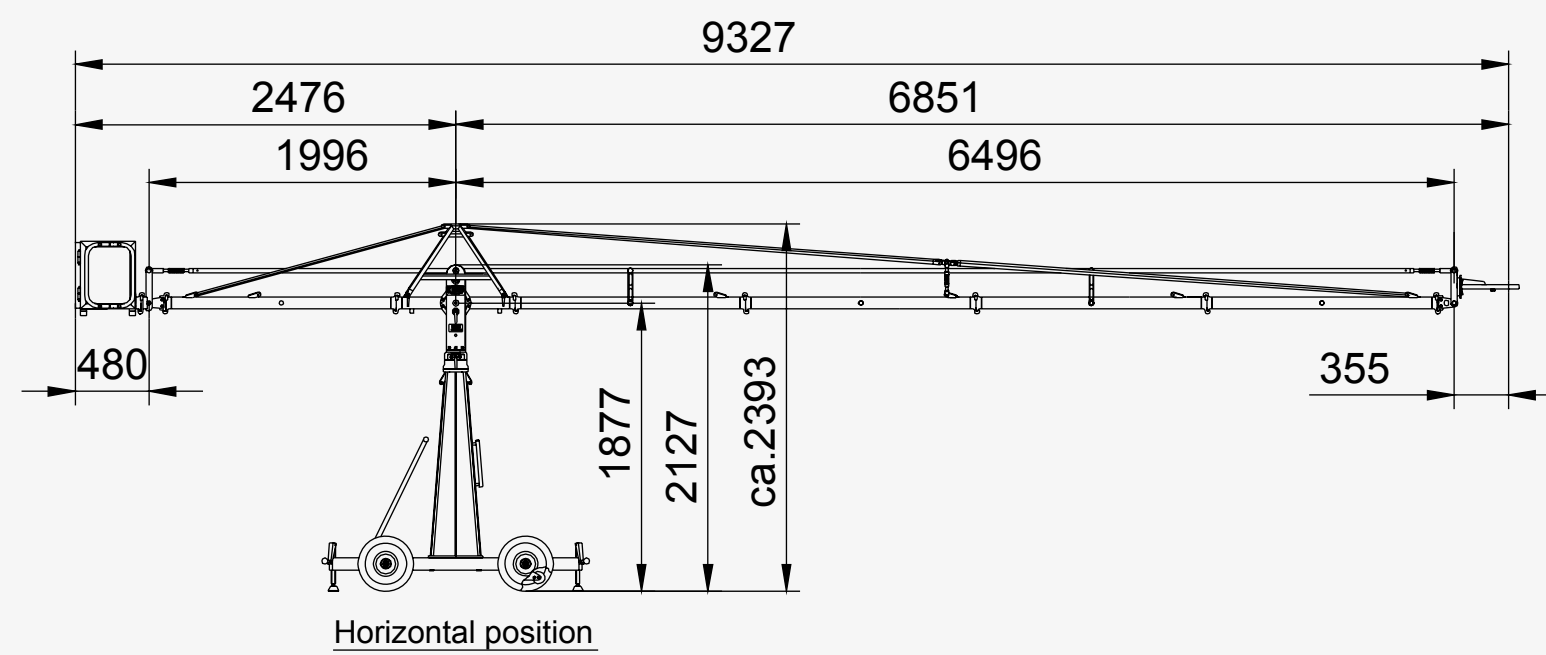
PIVOT HEIGHT
188 cm / 6'2"

LIFT CAPACITY
30 kg / 66 lbs

COUNTERWEIGHT REQUIRED TO BALANCE EMPTY ARM FOR MAX LIFT CAPACITY
140 kg / 309 lbs

CRANE & BASE DOLLY WEIGHT [EXCL. COUNTERWEIGHT]
229 kg / 504 lbs

Measurements in mm, unless otherwise specified

V 7/150 D


FRONT EXTENSIONS
4 x 150 cm / 5'

REAR EXTENSIONS
1 x 150 cm / 5'

MAX HEIGHT
781 cm / 25' 7"

LIFT RANGE
1168 cm / 38' 4"

ARM REACH
685 cm / 22' 6"

LENGTH OF REAR END
248 cm / 8' 1"

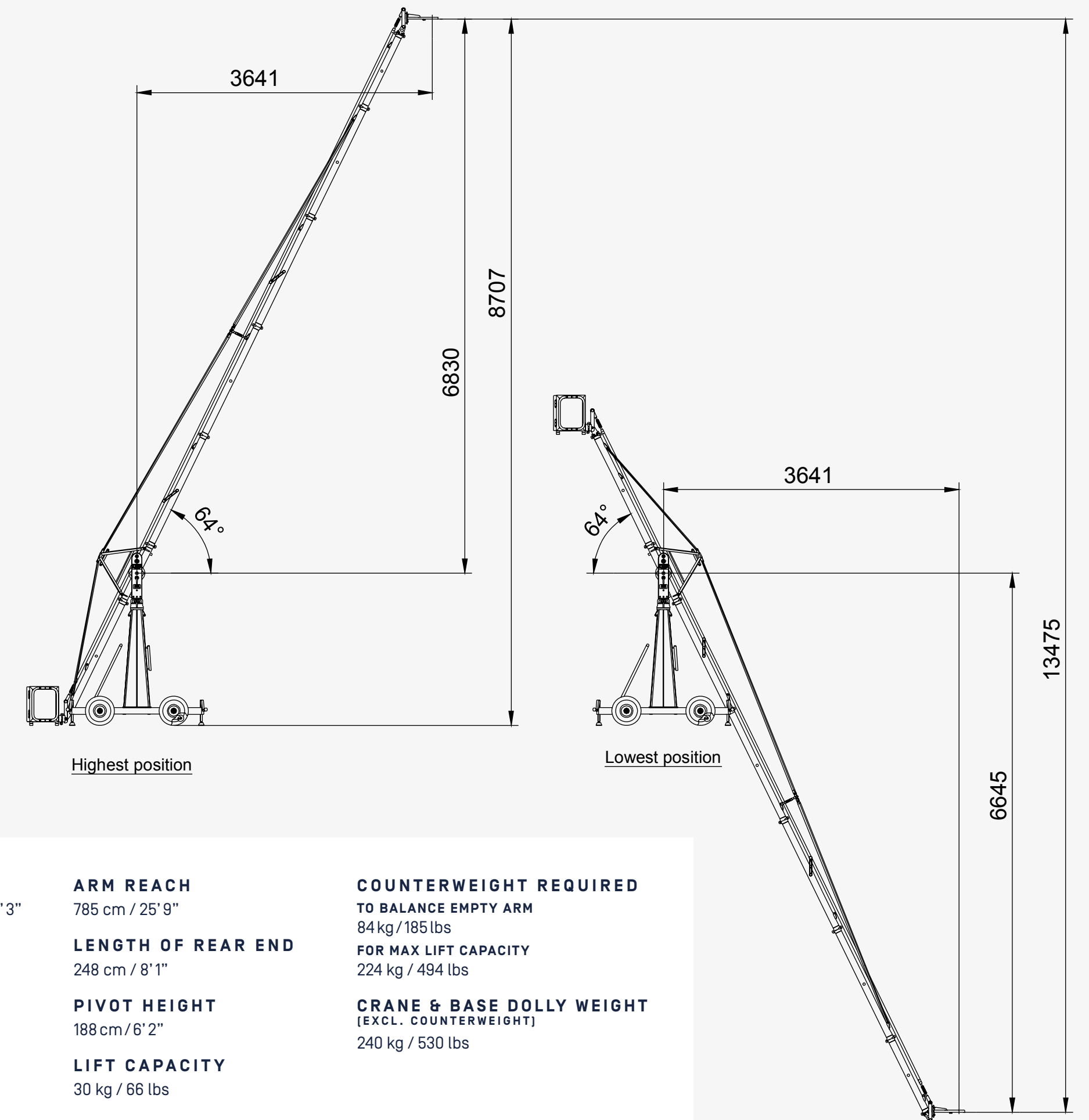
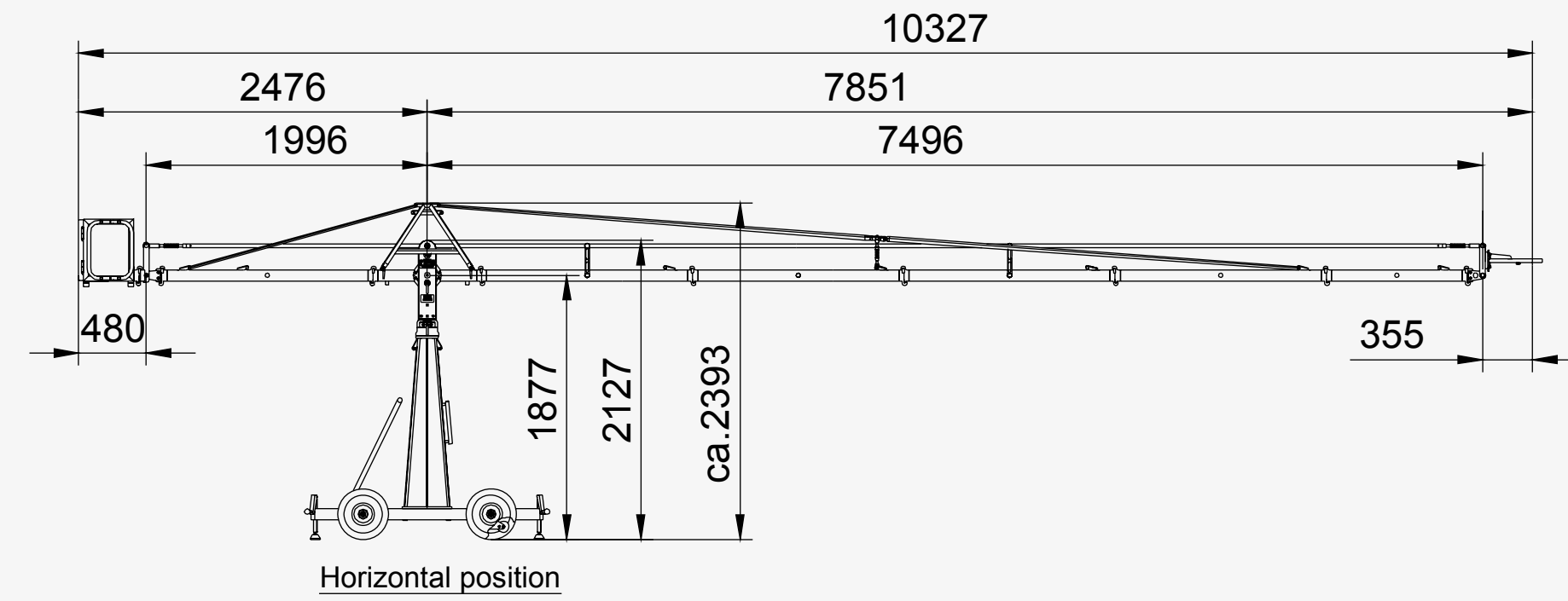
PIVOT HEIGHT
188 cm / 6' 2"

LIFT CAPACITY
30 kg / 66 lbs

COUNTERWEIGHT REQUIRED TO BALANCE EMPTY ARM
64 kg / 141 lbs

FOR MAX LIFT CAPACITY
204 kg / 450 lbs

CRANE & BASE DOLLY WEIGHT [EXCL. COUNTERWEIGHT]
234 kg / 516 lbs

V 8/150 D


FRONT EXTENSIONS
4 x 150 cm / 5' + 1 x 100 cm / 3' 3"

REAR EXTENSIONS
1 x 150 cm / 5'

MAX HEIGHT
871 cm / 28' 7"

LIFT RANGE
1348 cm / 44' 3"

ARM REACH
785 cm / 25' 9"

LENGTH OF REAR END
248 cm / 8' 1"

PIVOT HEIGHT
188 cm / 6' 2"

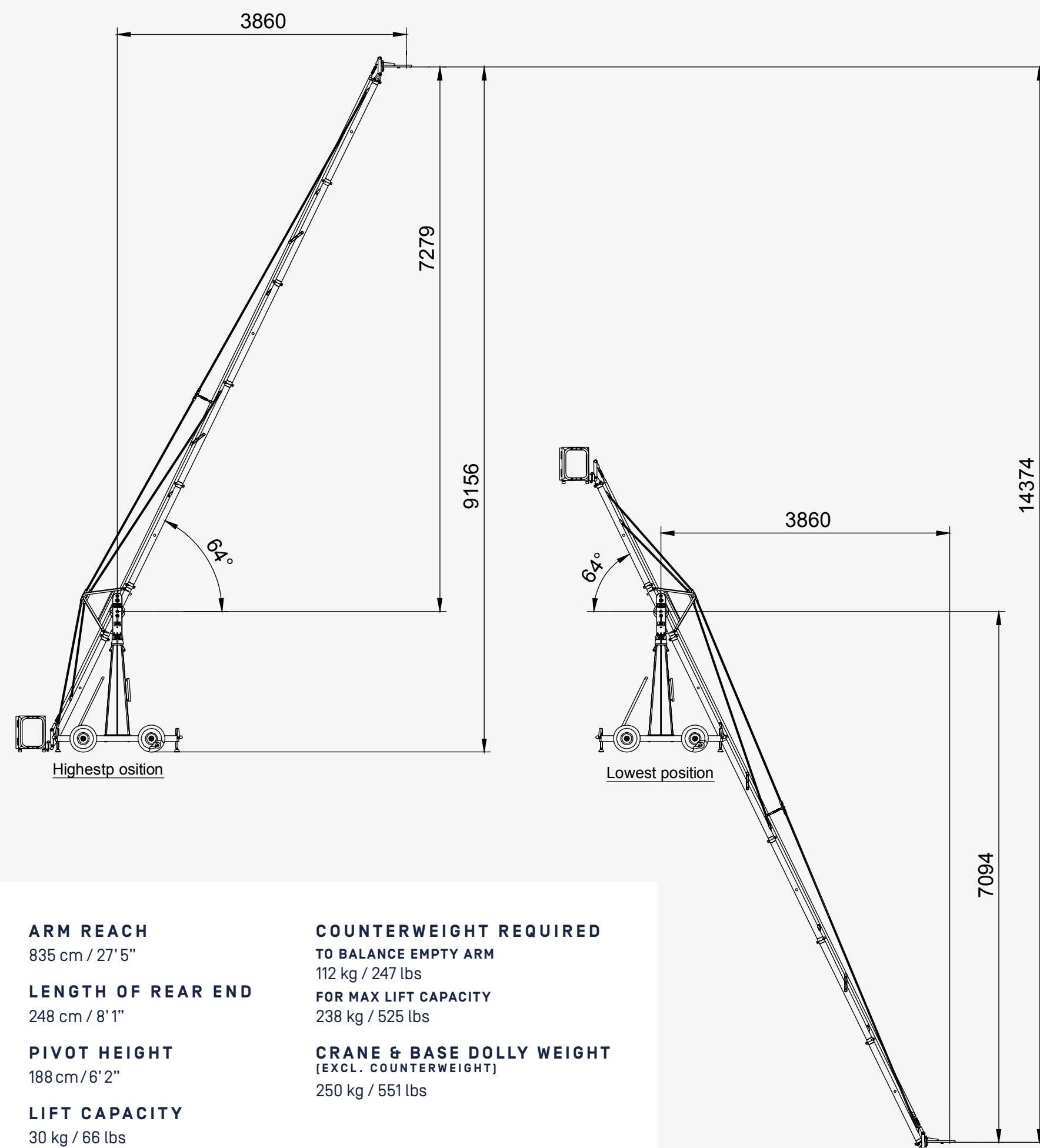
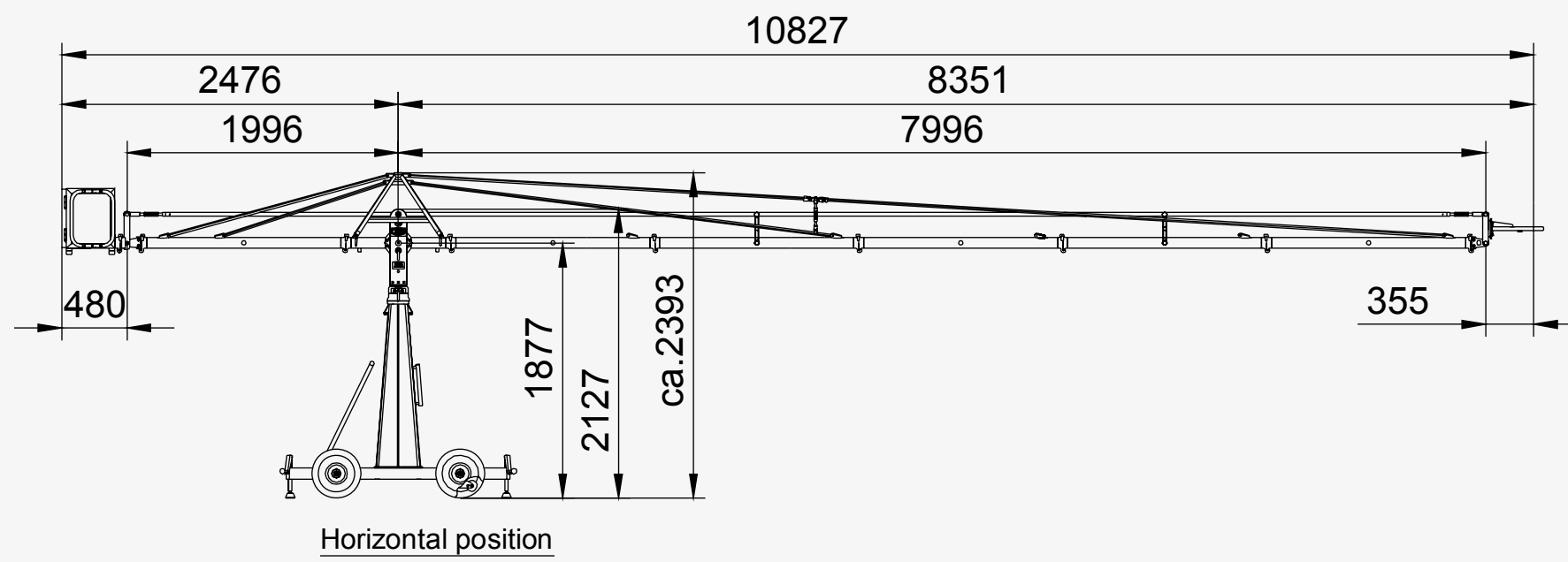
LIFT CAPACITY
30 kg / 66 lbs

COUNTERWEIGHT REQUIRED TO BALANCE EMPTY ARM
84 kg / 185 lbs

FOR MAX LIFT CAPACITY
224 kg / 494 lbs

CRANE & BASE DOLLY WEIGHT [EXCL. COUNTERWEIGHT]
240 kg / 530 lbs

Measurements in mm, unless otherwise specified

V 9/150 D


FRONT EXTENSIONS
5 x 150 cm / 5'

REAR EXTENSIONS
1 x 150 cm / 5'

MAX HEIGHT
916 cm / 30'

LIFT RANGE
1437 cm / 47'2"

ARM REACH
835 cm / 27'5"

LENGTH OF REAR END
248 cm / 8'1"

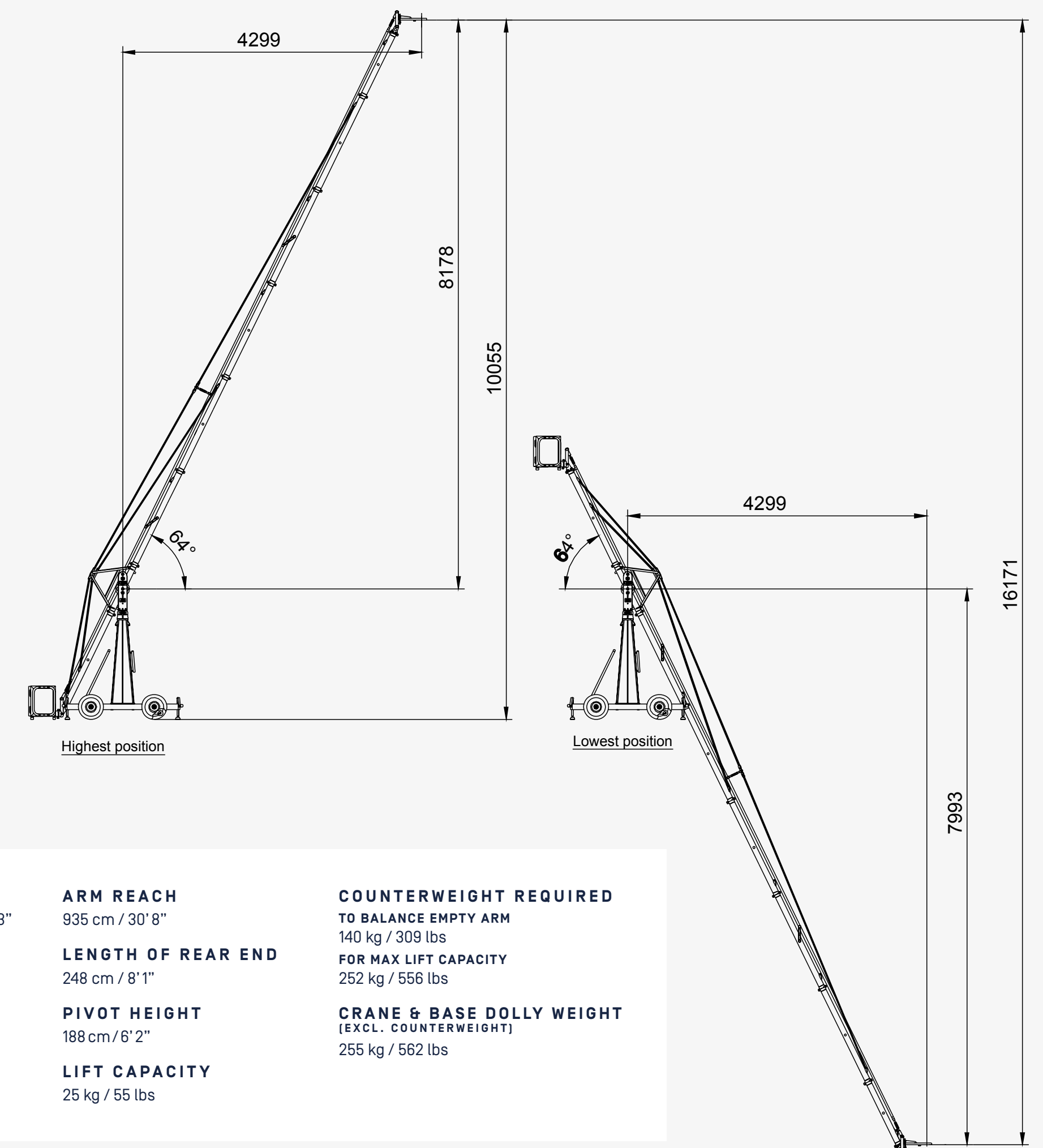
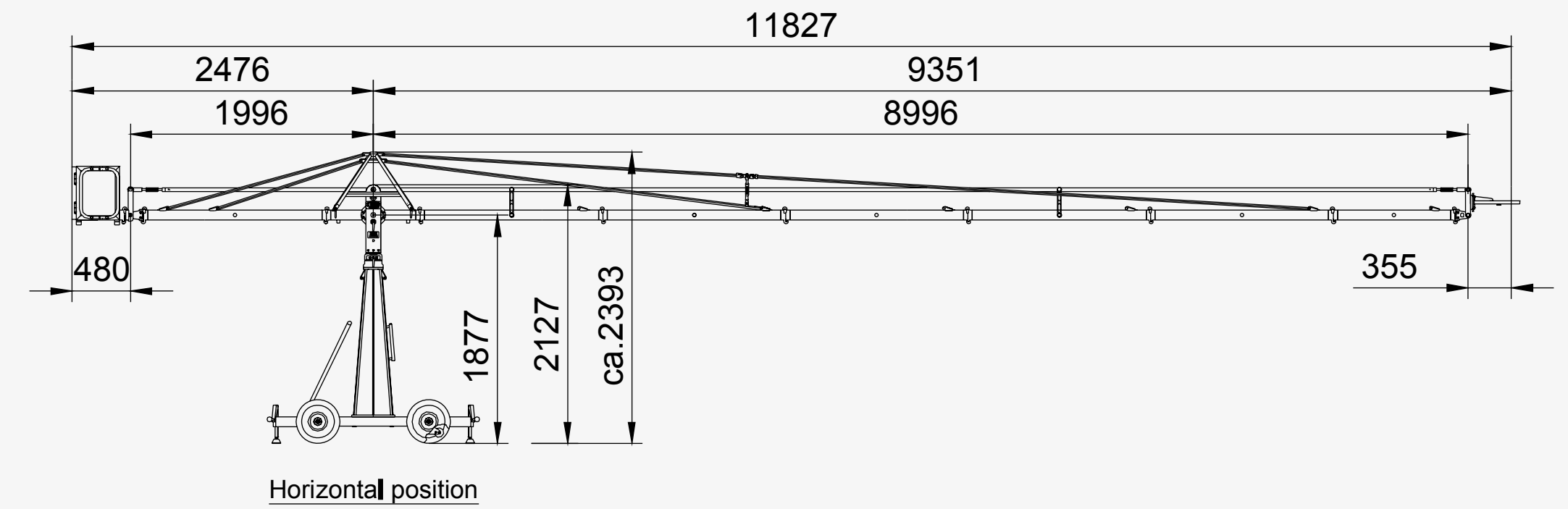
PIVOT HEIGHT
188 cm / 6'2"

LIFT CAPACITY
30 kg / 66 lbs

COUNTERWEIGHT REQUIRED TO BALANCE EMPTY ARM
112 kg / 247 lbs

FOR MAX LIFT CAPACITY
238 kg / 525 lbs

CRANE & BASE DOLLY WEIGHT (EXCL. COUNTERWEIGHT)
250 kg / 551 lbs

V 10/150 D


FRONT EXTENSIONS
5 x 150 cm / 5' + 1 x 100 cm / 3'3"

REAR EXTENSIONS
1 x 150 cm / 5'

MAX HEIGHT
1006 cm / 33'

LIFT RANGE
1617 cm / 53'1"

ARM REACH
935 cm / 30'8"

LENGTH OF REAR END
248 cm / 8'1"

PIVOT HEIGHT
188 cm / 6'2"

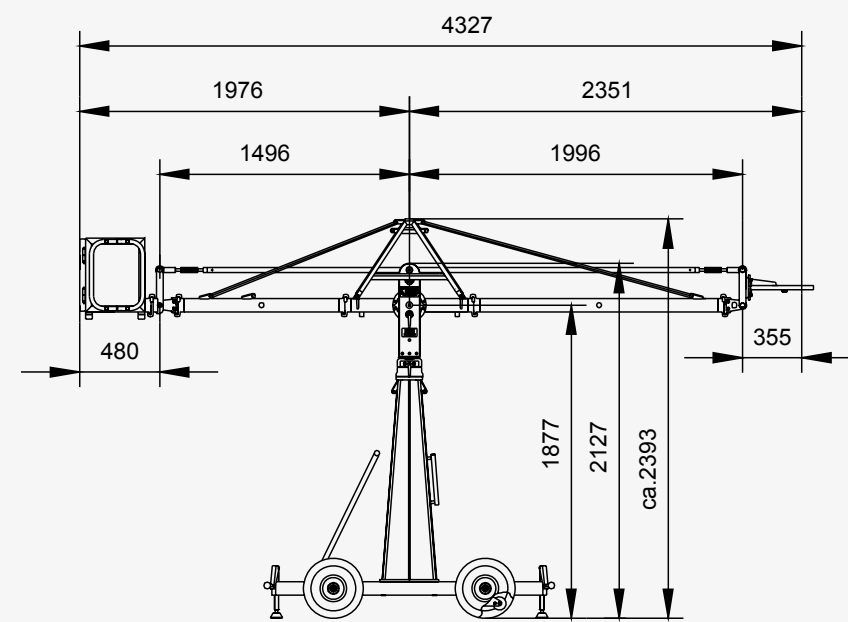
LIFT CAPACITY
25 kg / 55 lbs

COUNTERWEIGHT REQUIRED TO BALANCE EMPTY ARM
140 kg / 309 lbs

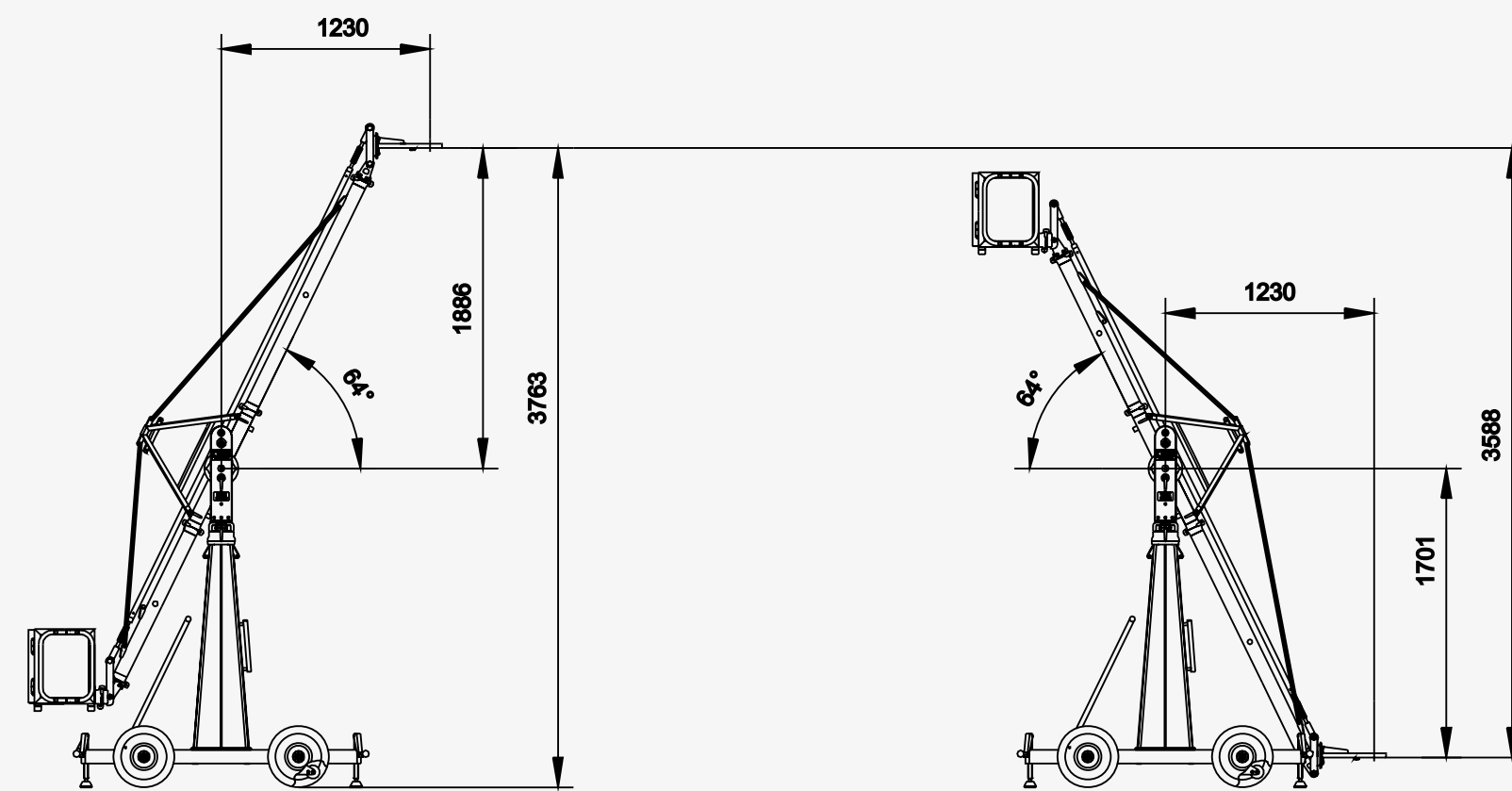
FOR MAX LIFT CAPACITY
252 kg / 556 lbs

CRANE & BASE DOLLY WEIGHT (EXCL. COUNTERWEIGHT)
255 kg / 562 lbs

Measurements in mm, unless otherwise specified

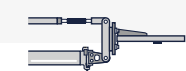
V 1/100 D


Horizontal position



Highest position

Lowest position


FRONT EXTENSIONS

1 x 150 cm / 5'

REAR EXTENSIONS

1 x 100 cm / 3'3"

MAX HEIGHT

376 cm / 12'4"

LIFT RANGE

359 cm / 11'9"

ARM REACH

235 cm / 7'9"

LENGTH OF REAR END

198 cm / 6'6"

PIVOT HEIGHT

188 cm / 6'2"

LIFT CAPACITY

45 kg / 99 lbs

COUNTERWEIGHT REQUIRED

TO BALANCE EMPTY ARM

-

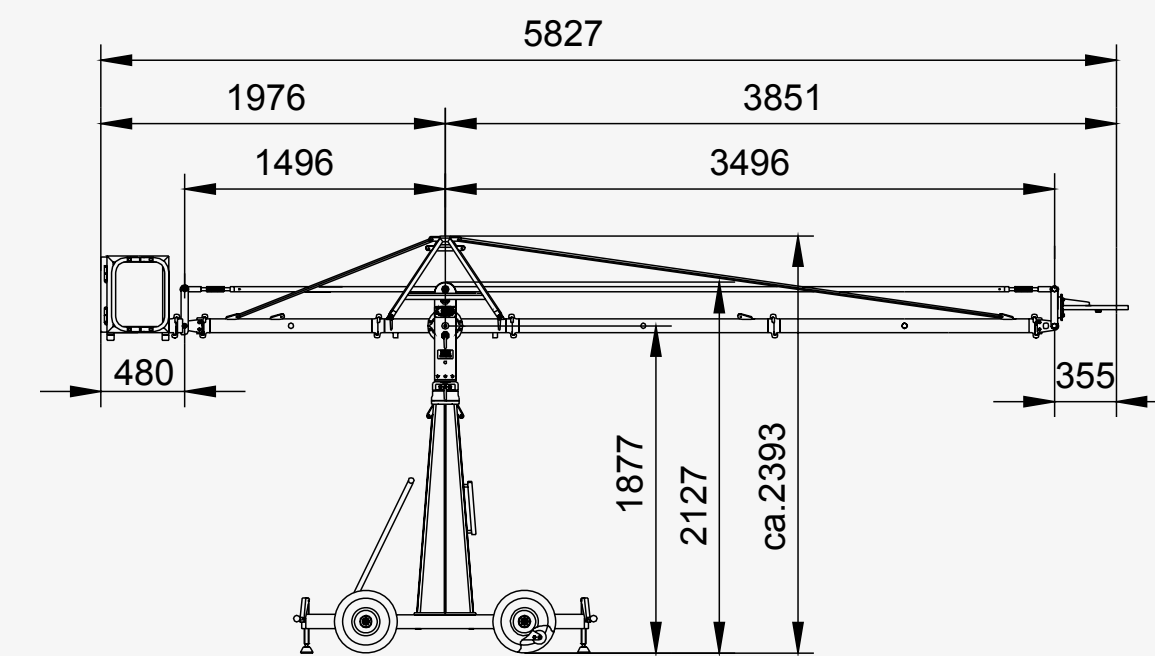
FOR MAX LIFT CAPACITY

56 kg / 123 lbs

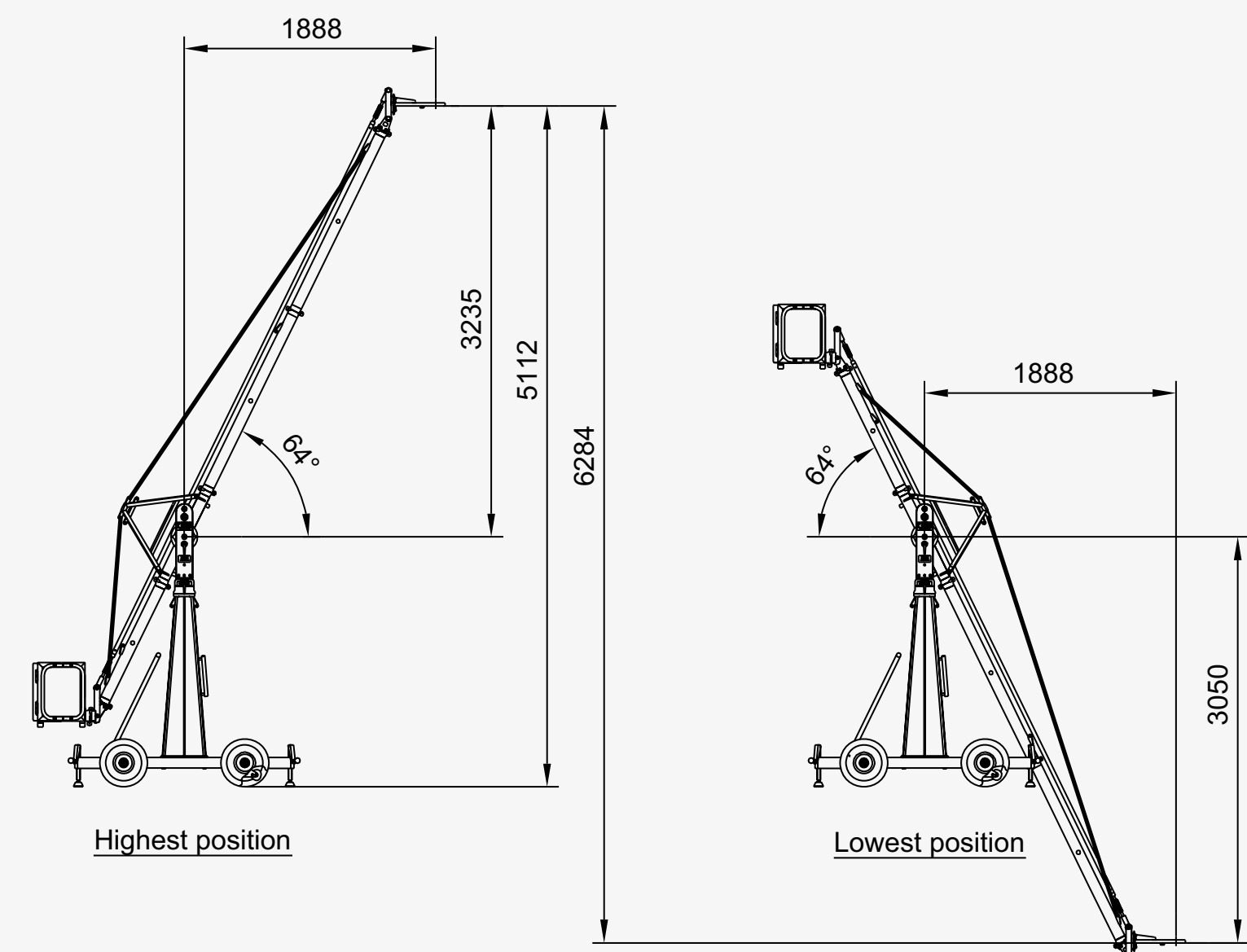
CRANE & BASE DOLLY WEIGHT

[EXCL. COUNTERWEIGHT]

200 kg / 441 lbs

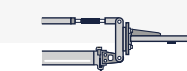
V 3/100 D


Horizontal position



Highest position

Lowest position


FRONT EXTENSIONS

2 x 150 cm / 5'

REAR EXTENSIONS

1 x 100 cm / 3'3"

MAX HEIGHT

511 cm / 16'9"

LIFT RANGE

628 cm / 20'7"

ARM REACH

385 cm / 12'8"

LENGTH OF REAR END

198 cm / 6'6"

PIVOT HEIGHT

188 cm / 6'2"

LIFT CAPACITY

45 kg / 99 lbs

COUNTERWEIGHT REQUIRED

TO BALANCE EMPTY ARM

22 kg / 49 lbs

FOR MAX LIFT CAPACITY

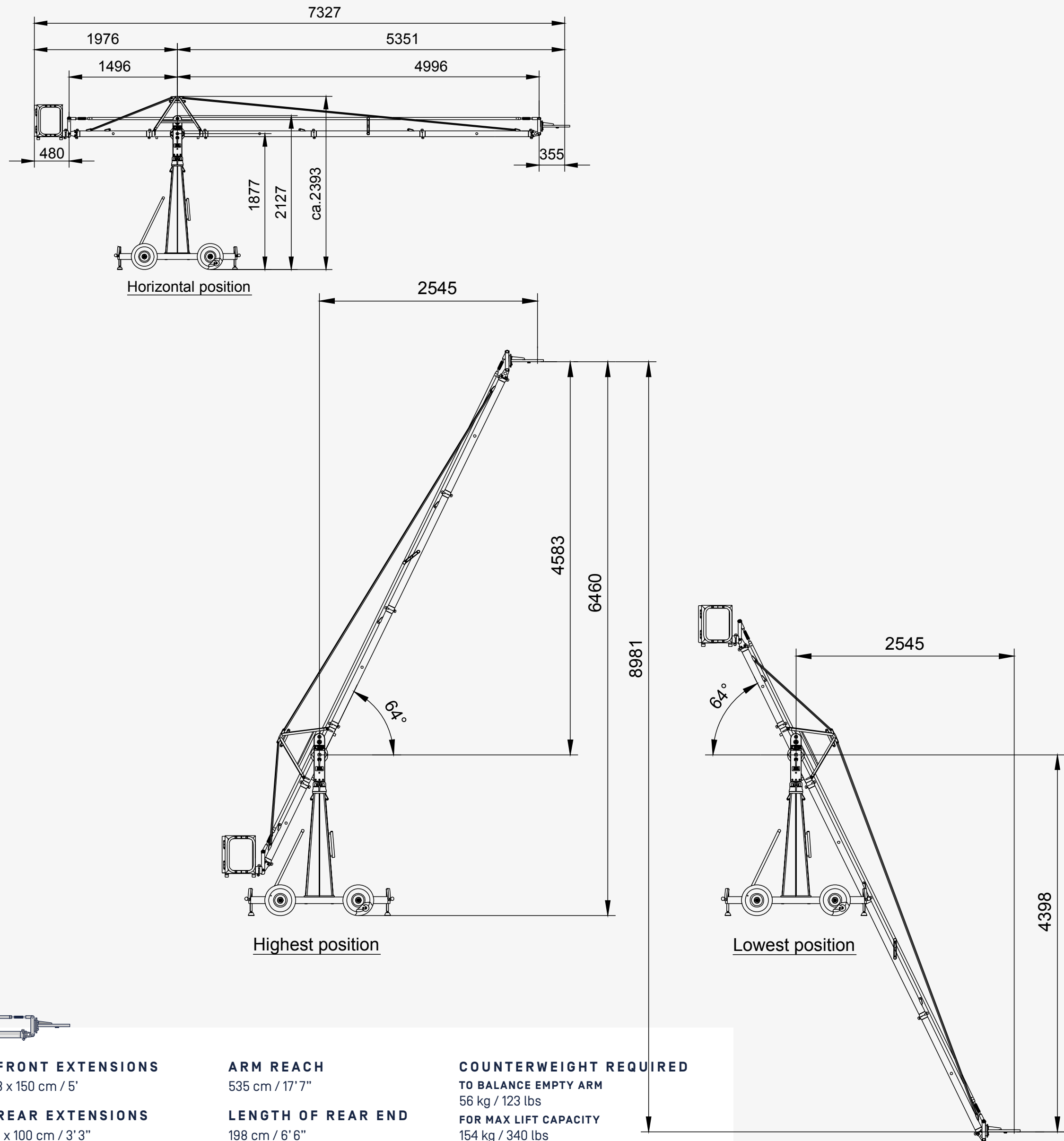
126 kg / 278 lbs

CRANE & BASE DOLLY WEIGHT

[EXCL. COUNTERWEIGHT]

210 kg / 462 lbs

Measurements in mm, unless otherwise specified

V 5/100 D

FRONT EXTENSIONS
 3 x 150 cm / 5'

REAR EXTENSIONS
 1 x 100 cm / 3'3"

MAX HEIGHT
 646 cm / 21'2"

LIFT RANGE
 898 cm / 29'6"

ARM REACH
 535 cm / 17'7"

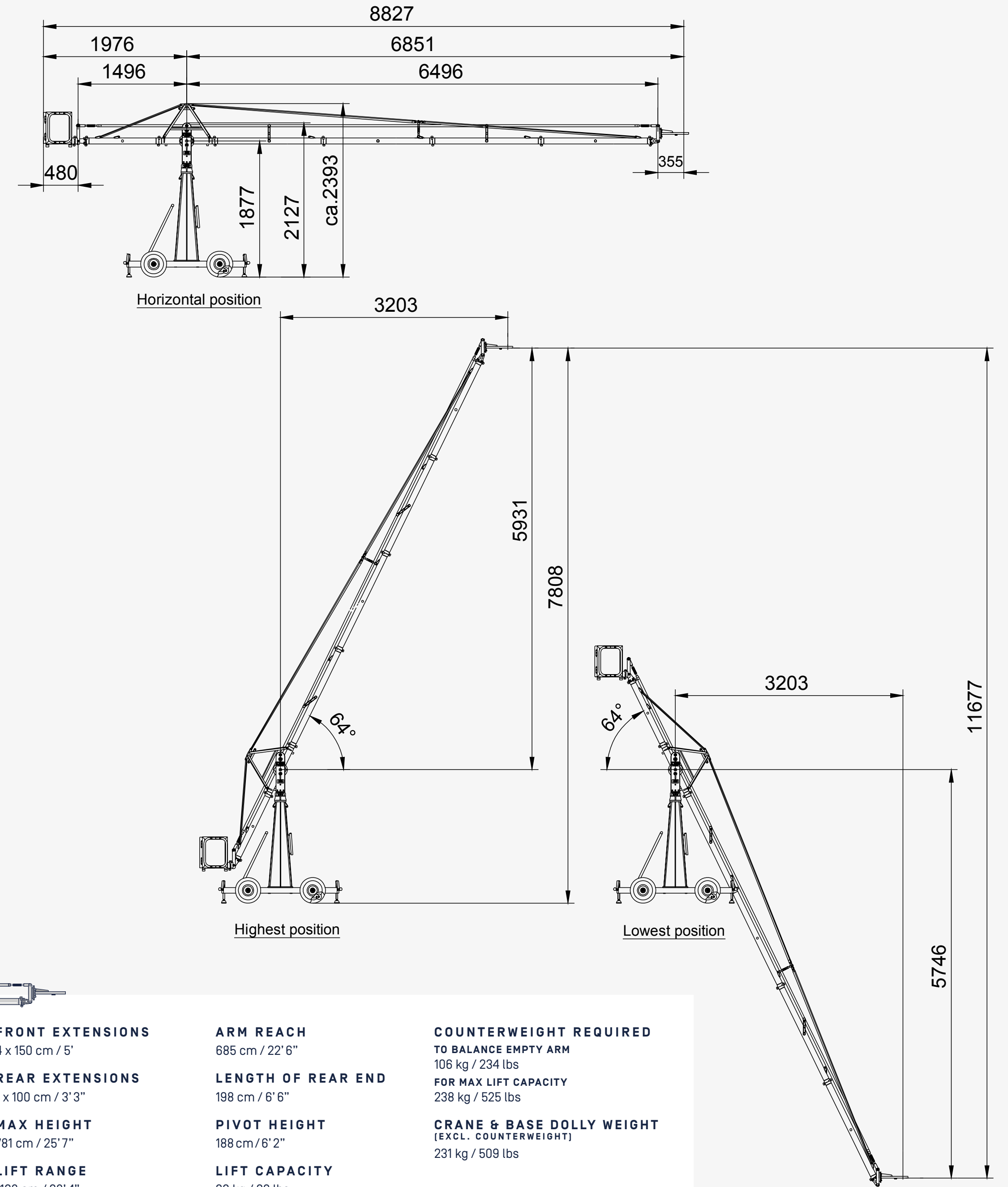
LENGTH OF REAR END
 198 cm / 6'6"

PIVOT HEIGHT
 188 cm / 6'2"

LIFT CAPACITY
 30 kg / 66 lbs

COUNTERWEIGHT REQUIRED TO BALANCE EMPTY ARM
 56 kg / 123 lbs
FOR MAX LIFT CAPACITY
 154 kg / 340 lbs

CRANE & BASE DOLLY WEIGHT (EXCL. COUNTERWEIGHT)
 220 kg / 485 lbs

V 7/100 D

FRONT EXTENSIONS
 4 x 150 cm / 5'

REAR EXTENSIONS
 1 x 100 cm / 3'3"

MAX HEIGHT
 781 cm / 25'7"

LIFT RANGE
 1168 cm / 38'4"

ARM REACH
 685 cm / 22'6"

LENGTH OF REAR END
 198 cm / 6'6"

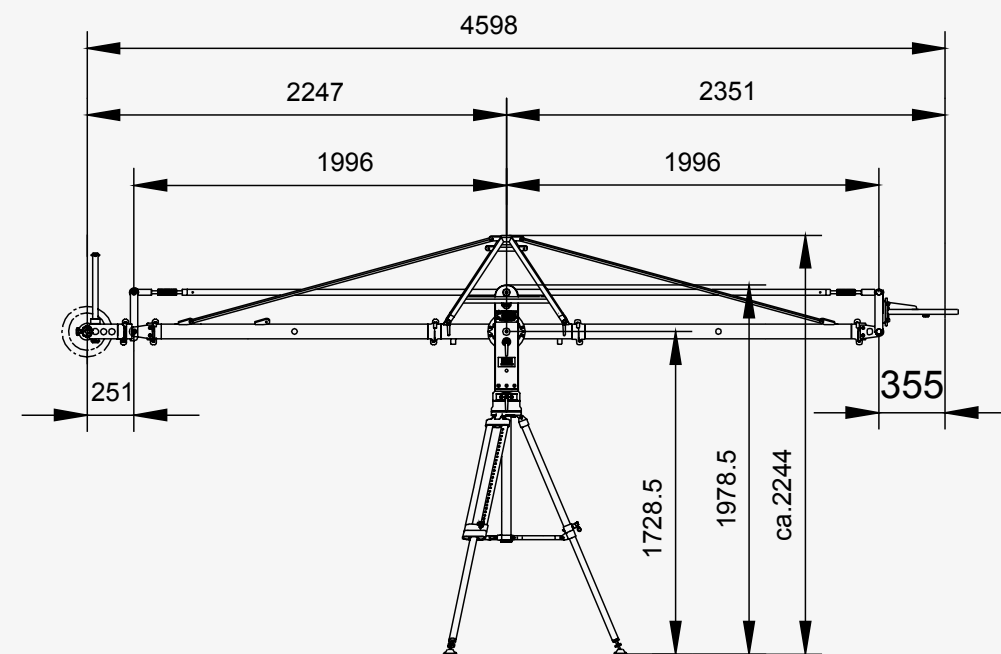
PIVOT HEIGHT
 188 cm / 6'2"

LIFT CAPACITY
 30 kg / 66 lbs

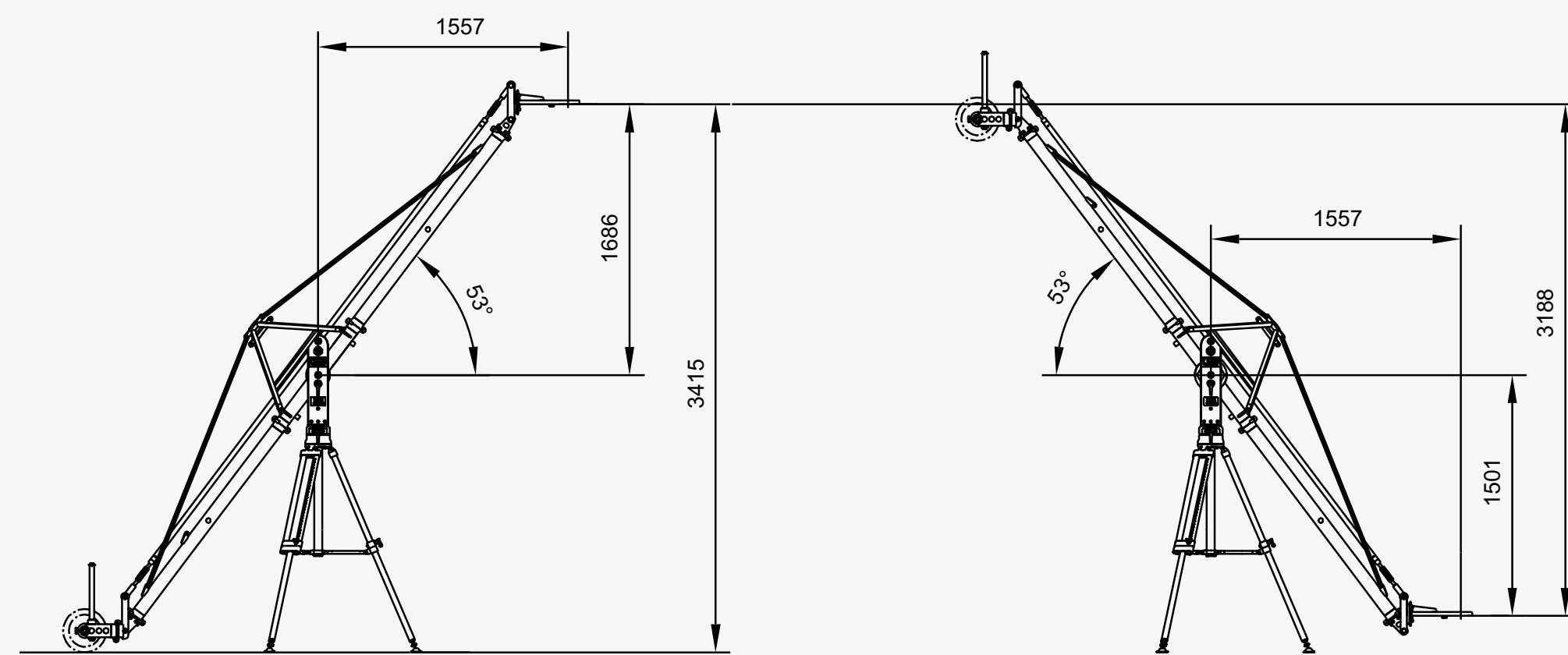
COUNTERWEIGHT REQUIRED TO BALANCE EMPTY ARM
 106 kg / 234 lbs
FOR MAX LIFT CAPACITY
 238 kg / 525 lbs

CRANE & BASE DOLLY WEIGHT (EXCL. COUNTERWEIGHT)
 231 kg / 509 lbs

Measurements in mm, unless otherwise specified

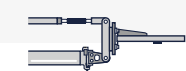
V 1/150 TG


Horizontal position



Highest position

Lowest position


FRONT EXTENSIONS

1 x 150 cm / 5'

REAR EXTENSIONS

1 x 150 cm / 5'

MAX HEIGHT

342 cm / 11' 2"

LIFT RANGE

319 cm / 10' 6"

ARM REACH

235 cm / 7' 9"

LENGTH OF REAR END

225 cm / 7' 4"

PIVOT HEIGHT

173 cm / 5' 8"

LIFT CAPACITY

45 kg / 99 lbs

COUNTERWEIGHT REQUIRED

TO BALANCE EMPTY ARM

-

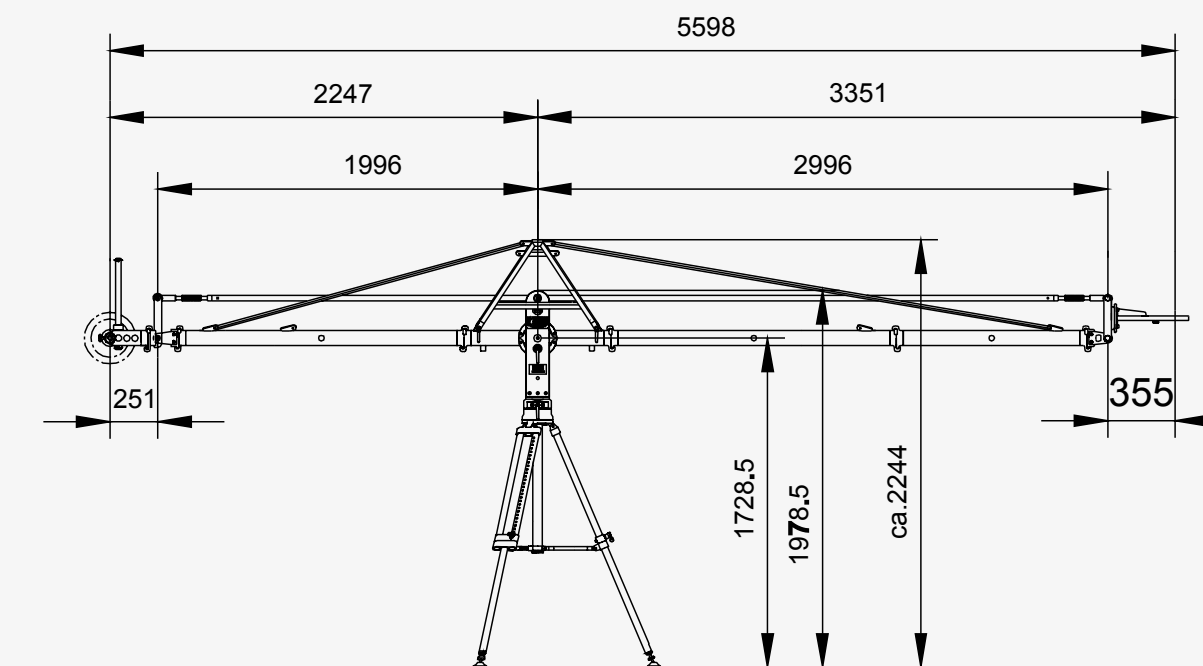
FOR MAX LIFT CAPACITY

42 kg / 93 lbs

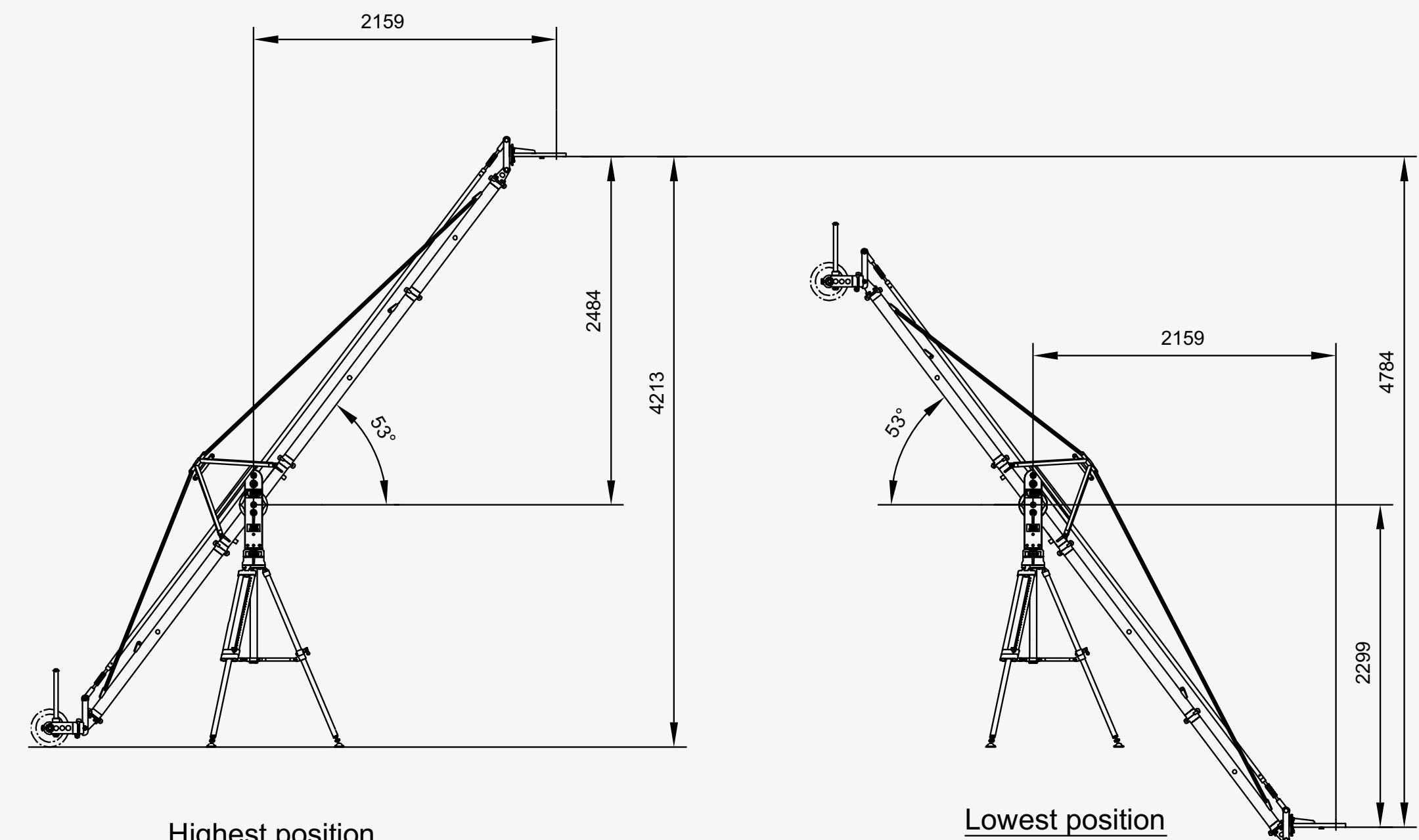
CRANE & BASE DOLLY WEIGHT

(EXCL. COUNTERWEIGHT)

95 kg / 208 lbs

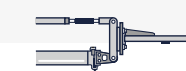
V 2/150 TG


Horizontal position



Highest position

Lowest position


FRONT EXTENSIONS

1 x 150 cm / 5' + 1 x 100 cm / 3' 3"

REAR EXTENSIONS

1 x 150 cm / 5'

MAX HEIGHT

421 cm / 13' 10"

LIFT RANGE

478 cm / 15' 8"

ARM REACH

335 cm / 11'

LENGTH OF REAR END

225 cm / 7' 4"

PIVOT HEIGHT

173 cm / 5' 8"

LIFT CAPACITY

45 kg / 99 lbs

COUNTERWEIGHT REQUIRED

TO BALANCE EMPTY ARM

5 kg / 11 lbs

FOR MAX LIFT CAPACITY

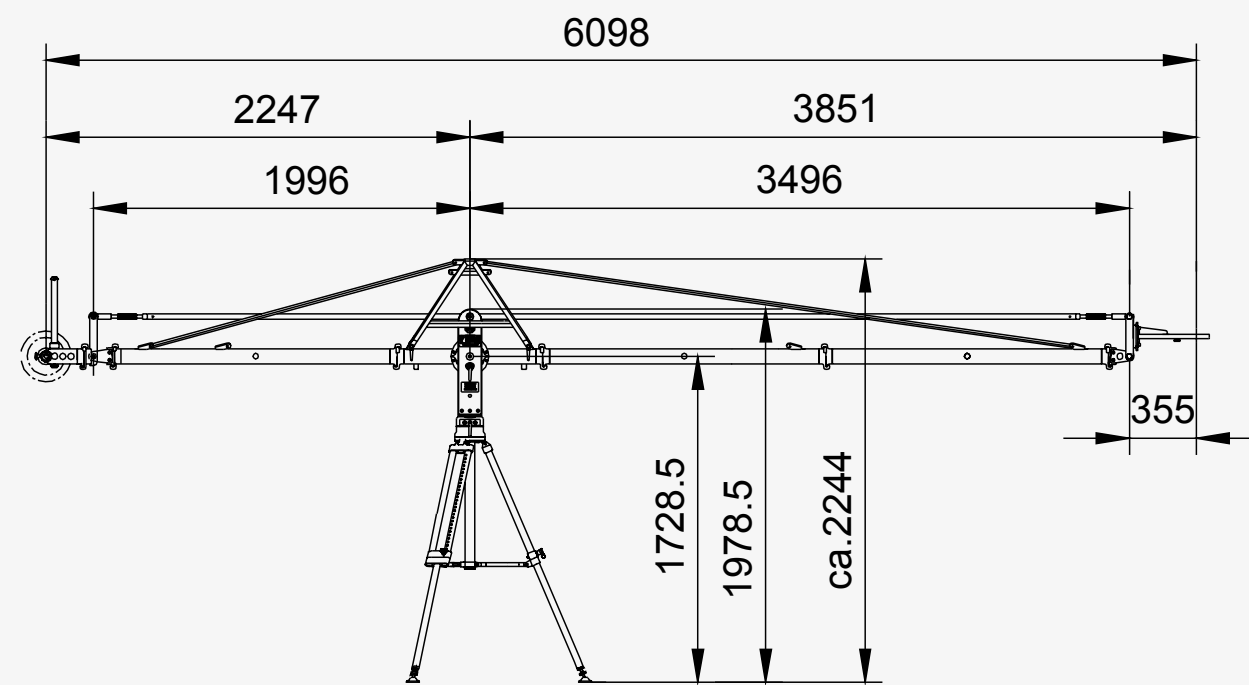
76 kg / 168 lbs

CRANE & BASE DOLLY WEIGHT

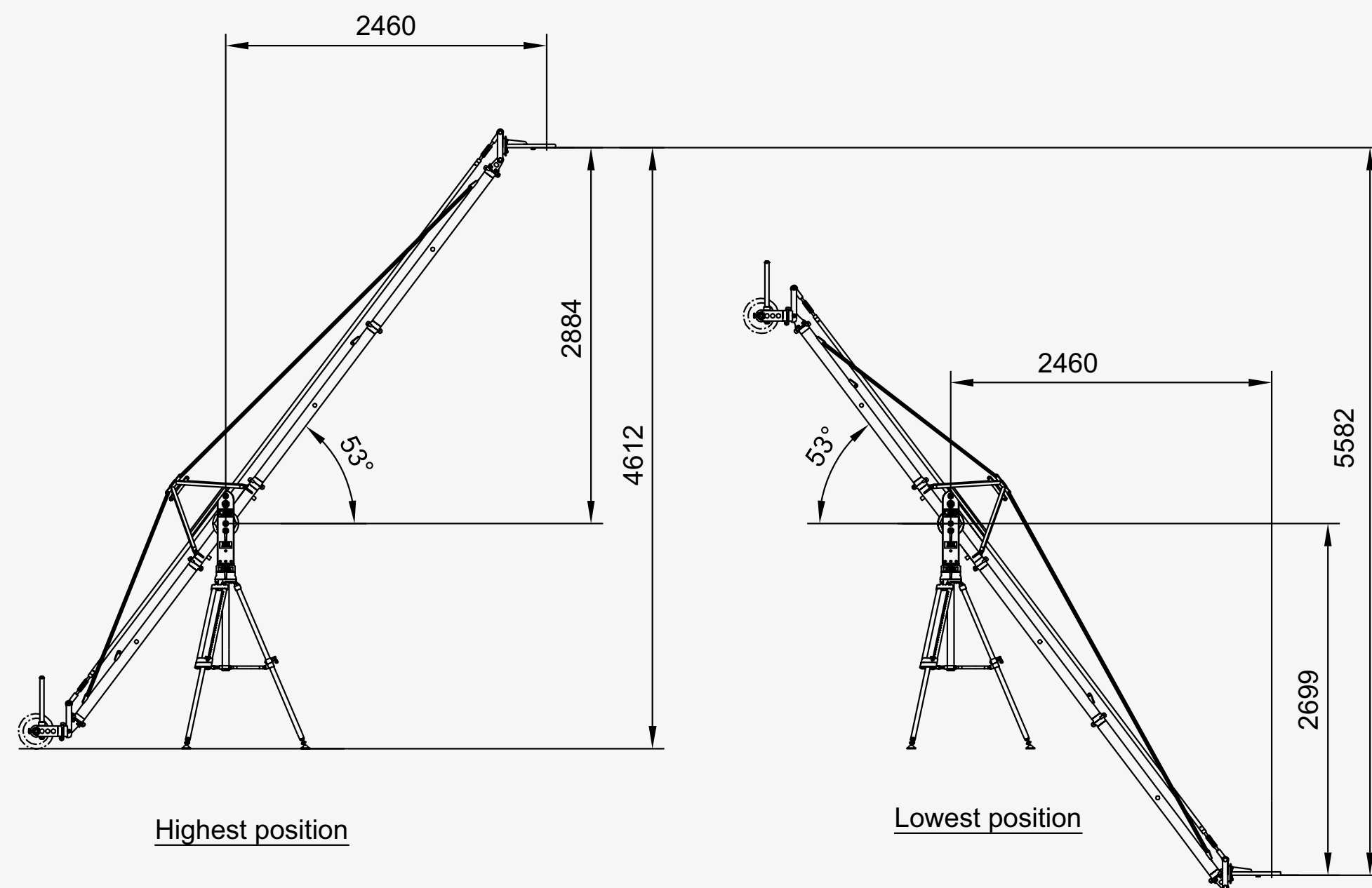
(EXCL. COUNTERWEIGHT)

101 kg / 222 lbs

Measurements in mm, unless otherwise specified

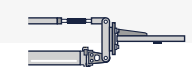
V 3/150 TG


Horizontal position



Highest position

Lowest position


FRONT EXTENSIONS

2 x 150 cm / 5'

REAR EXTENSIONS

1 x 150 cm / 5'

MAX HEIGHT

461 cm / 15' 2"

LIFT RANGE

558 cm / 18' 4"

ARM REACH

385 cm / 12' 8"

LENGTH OF REAR END

225 cm / 7' 4"

PIVOT HEIGHT

173 cm / 5' 8"

LIFT CAPACITY

45 kg / 99 lbs

COUNTERWEIGHT REQUIRED

TO BALANCE EMPTY ARM

11 kg / 24 lbs

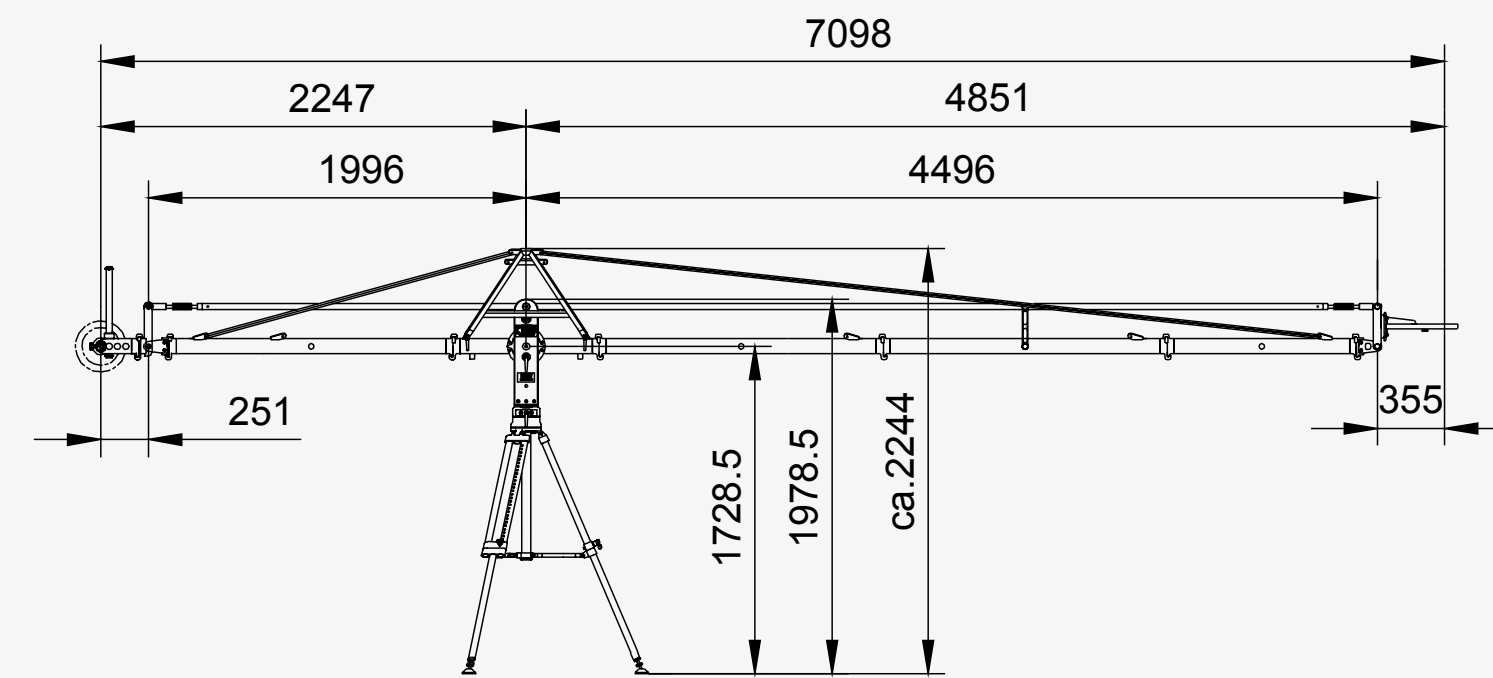
FOR MAX LIFT CAPACITY

95 kg / 209 lbs

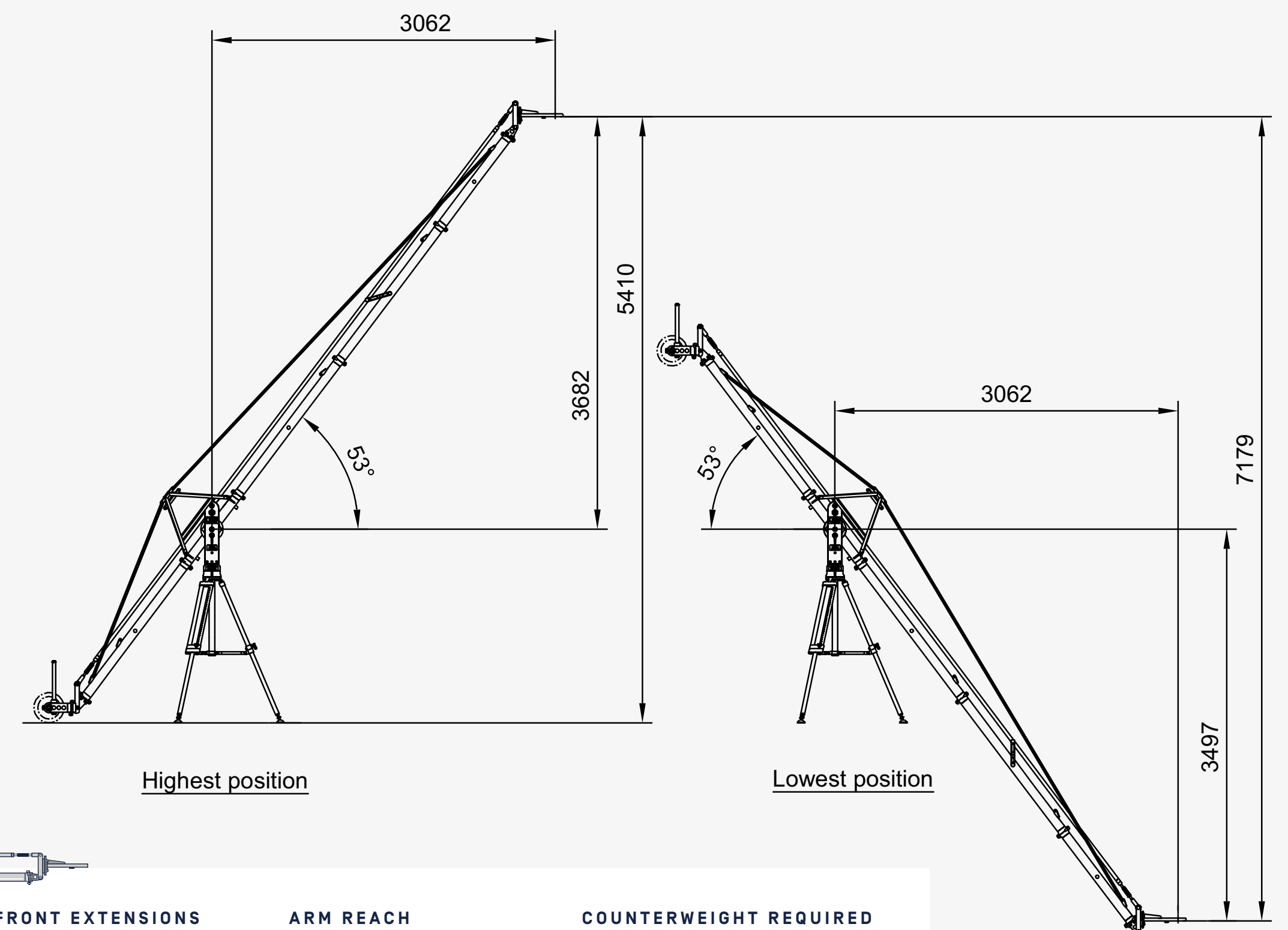
CRANE & BASE DOLLY WEIGHT

(EXCL. COUNTERWEIGHT)

104 kg / 229 lbs

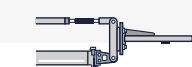
V 4/150 TG


Horizontal position



Highest position

Lowest position


FRONT EXTENSIONS

2 x 150 cm / 5' + 1 x 100 cm / 3' 3"

REAR EXTENSIONS

1 x 150 cm / 5'

MAX HEIGHT

541 cm / 17' 9"

LIFT RANGE

718 cm / 23' 7"

ARM REACH

485 cm / 15' 11"

LENGTH OF REAR END

225 cm / 7' 4"

PIVOT HEIGHT

173 cm / 5' 8"

LIFT CAPACITY

45 kg / 99 lbs

COUNTERWEIGHT REQUIRED

TO BALANCE EMPTY ARM

30 kg / 66 lbs

FOR MAX LIFT CAPACITY

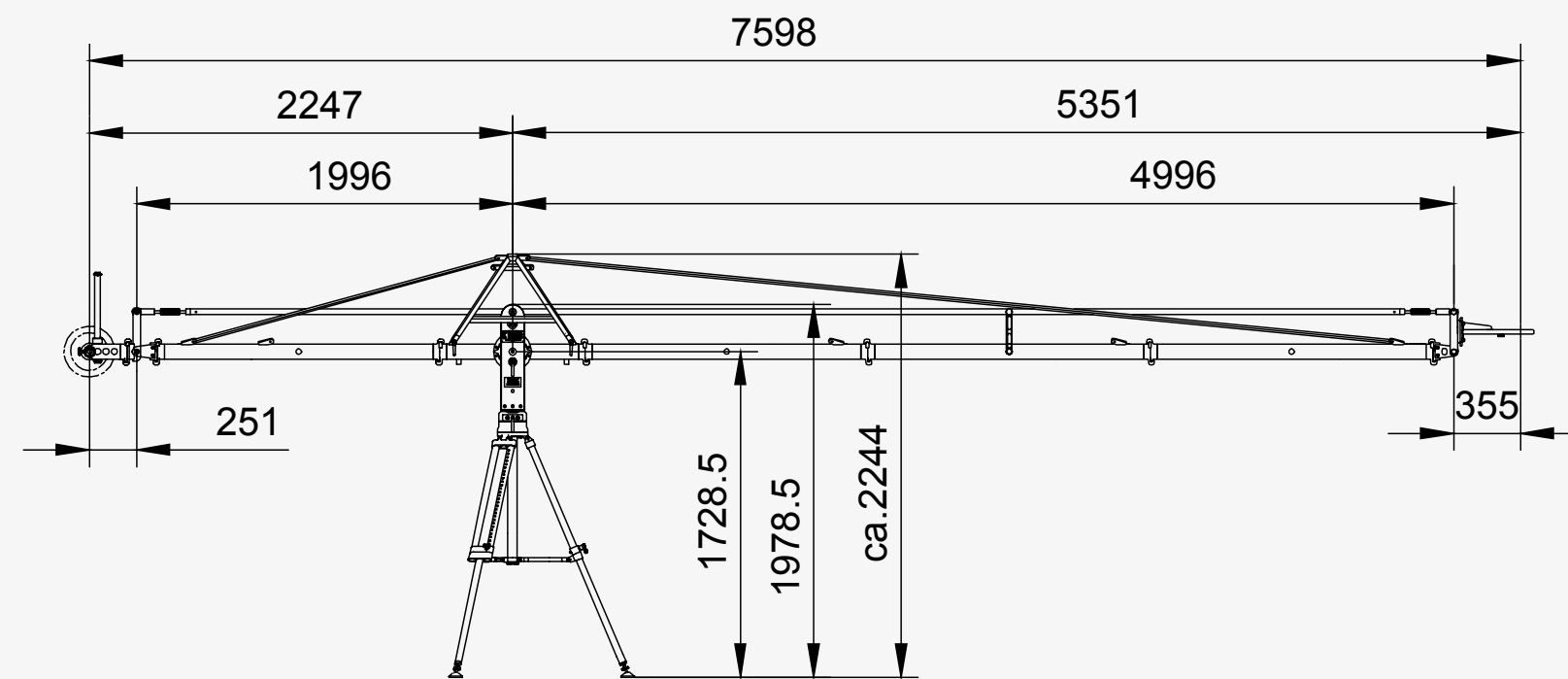
137 kg / 302 lbs

CRANE & BASE DOLLY WEIGHT

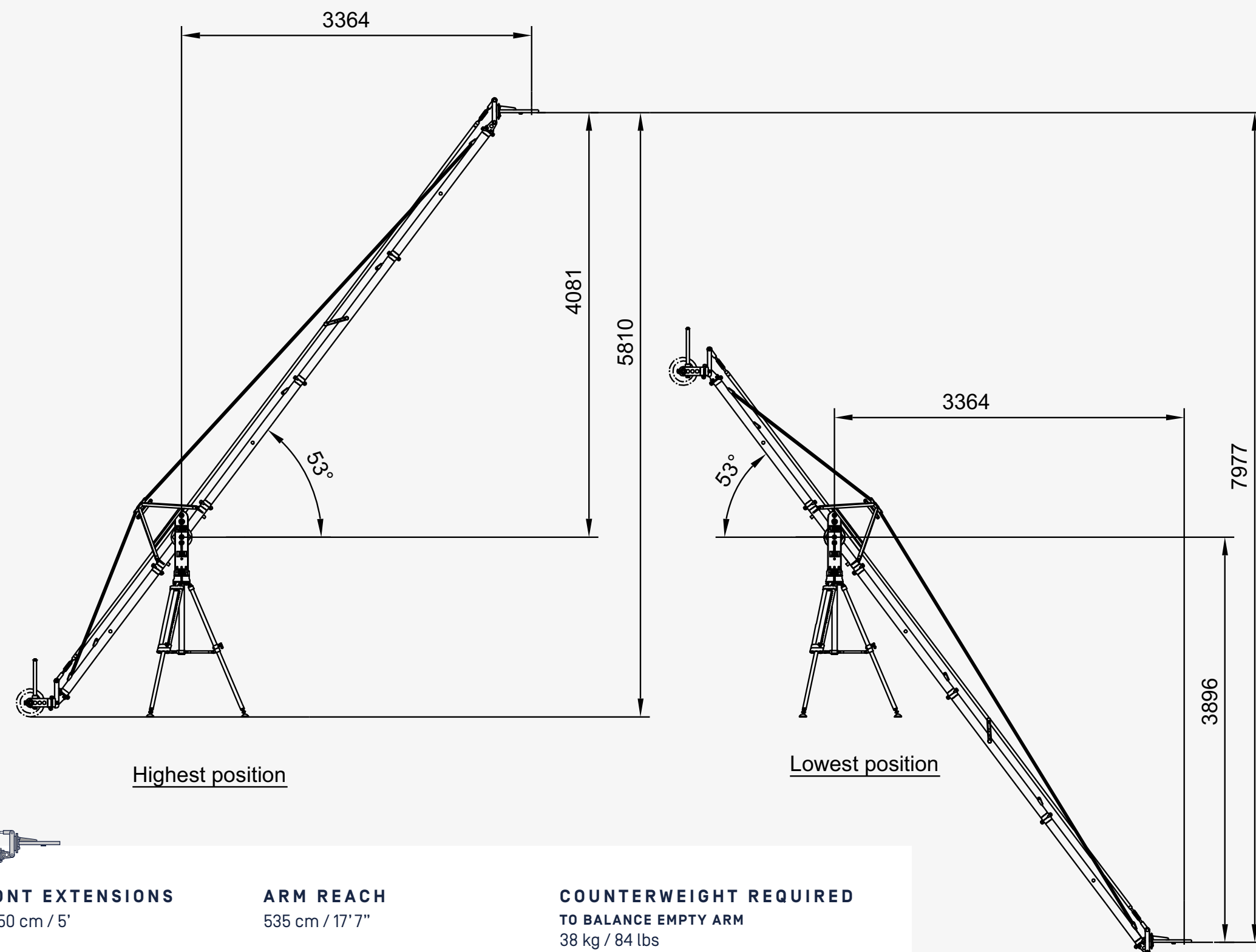
(EXCL. COUNTERWEIGHT)

111 kg / 245 lbs

Measurements in mm, unless otherwise specified

V 5/150 TG


Horizontal position



Highest position

Lowest position

FRONT EXTENSIONS

3 x 150 cm / 5'

REAR EXTENSIONS

1 x 150 cm / 5'

MAX HEIGHT

581 cm / 19'1"

LIFT RANGE

798 cm / 26'2"

ARM REACH

535 cm / 17'7"

LENGTH OF REAR END

225 cm / 7'4"

PIVOT HEIGHT

173 cm / 5'8"

LIFT CAPACITY

30 kg / 66 lbs

COUNTERWEIGHT REQUIRED

TO BALANCE EMPTY ARM

38 kg / 84 lbs

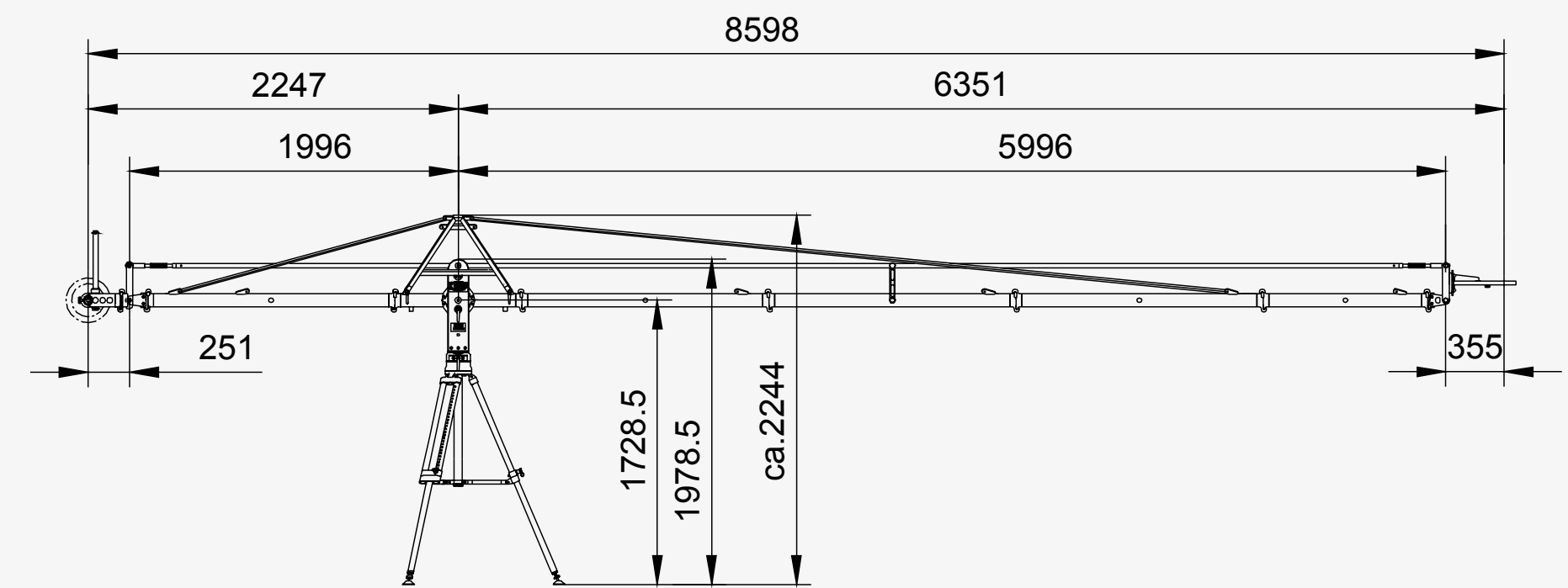
FOR MAX LIFT CAPACITY

122 kg / 269 lbs

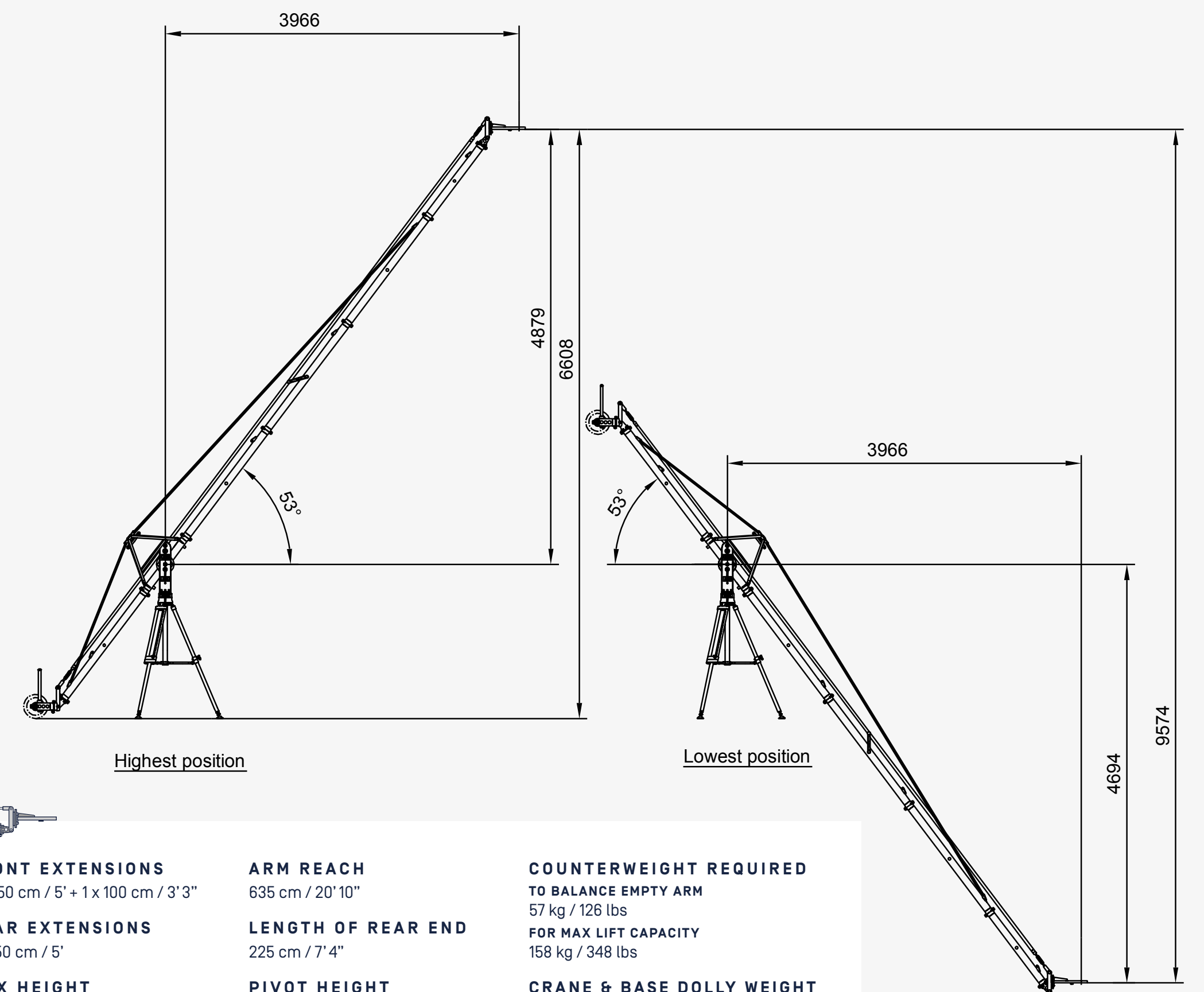
CRANE & BASE DOLLY WEIGHT

(EXCL. COUNTERWEIGHT)

115 kg / 253 lbs

V 6/150 TG


Horizontal position



Highest position

Lowest position

FRONT EXTENSIONS

3 x 150 cm / 5' + 1 x 100 cm / 3'3"

REAR EXTENSIONS

1 x 150 cm / 5'

MAX HEIGHT

661 cm / 21'8"

LIFT RANGE

957 cm / 31'5"

ARM REACH

635 cm / 20'10"

LENGTH OF REAR END

225 cm / 7'4"

PIVOT HEIGHT

173 cm / 5'8"

LIFT CAPACITY

30 kg / 66 lbs

COUNTERWEIGHT REQUIRED

TO BALANCE EMPTY ARM

57 kg / 126 lbs

FOR MAX LIFT CAPACITY

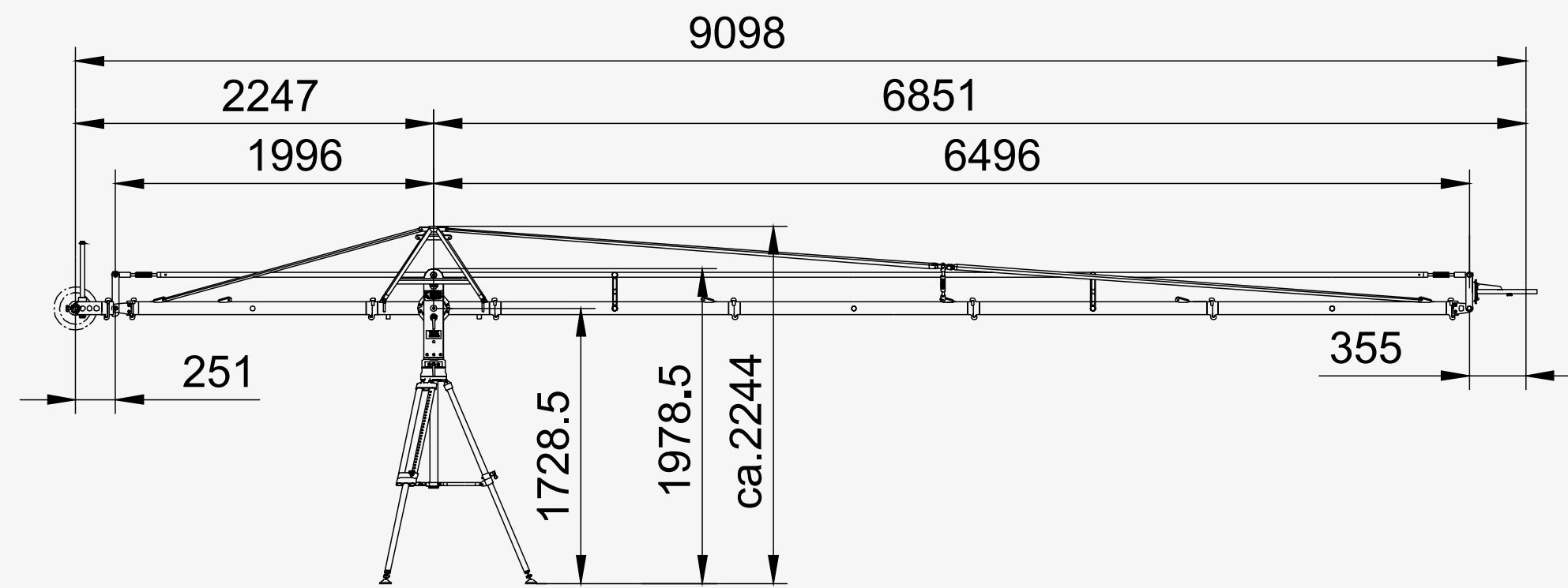
158 kg / 348 lbs

CRANE & BASE DOLLY WEIGHT

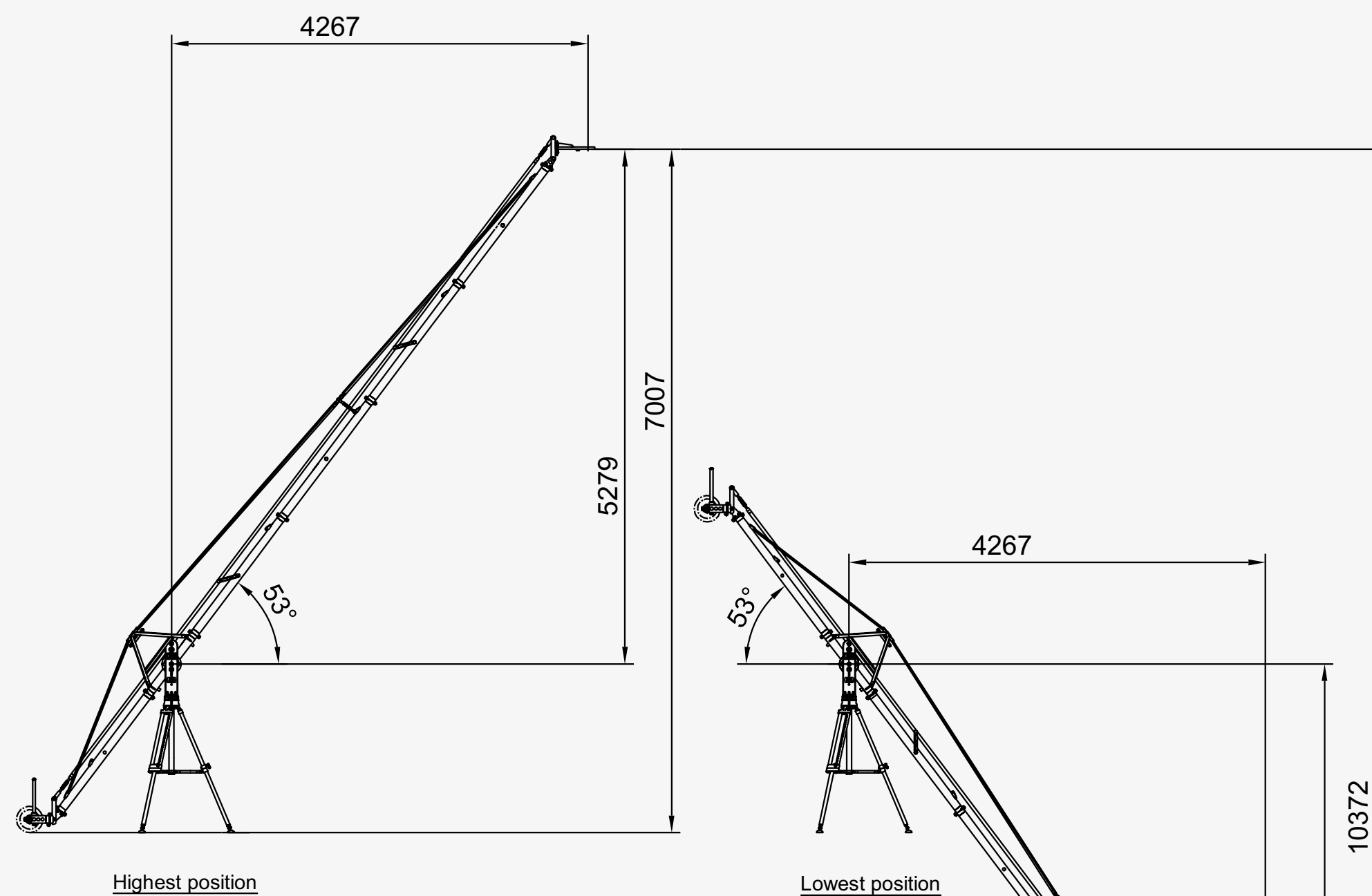
(EXCL. COUNTERWEIGHT)

120 kg / 264 lbs

Measurements in mm, unless otherwise specified

V 7/150 TG


Horizontal position



Highest position

Lowest position

FRONT EXTENSIONS

4 x 150 cm / 5'

REAR EXTENSIONS

1 x 150 cm / 5'

MAX HEIGHT

701 cm / 23'

LIFT RANGE

1037 cm / 34'

ARM REACH

685 cm / 22' 6"

LENGTH OF REAR END

225 cm / 7' 4"

PIVOT HEIGHT

173 cm / 5' 8"

LIFT CAPACITY

30 kg / 66 lbs

COUNTERWEIGHT REQUIRED

TO BALANCE EMPTY ARM

75 kg / 165 lbs

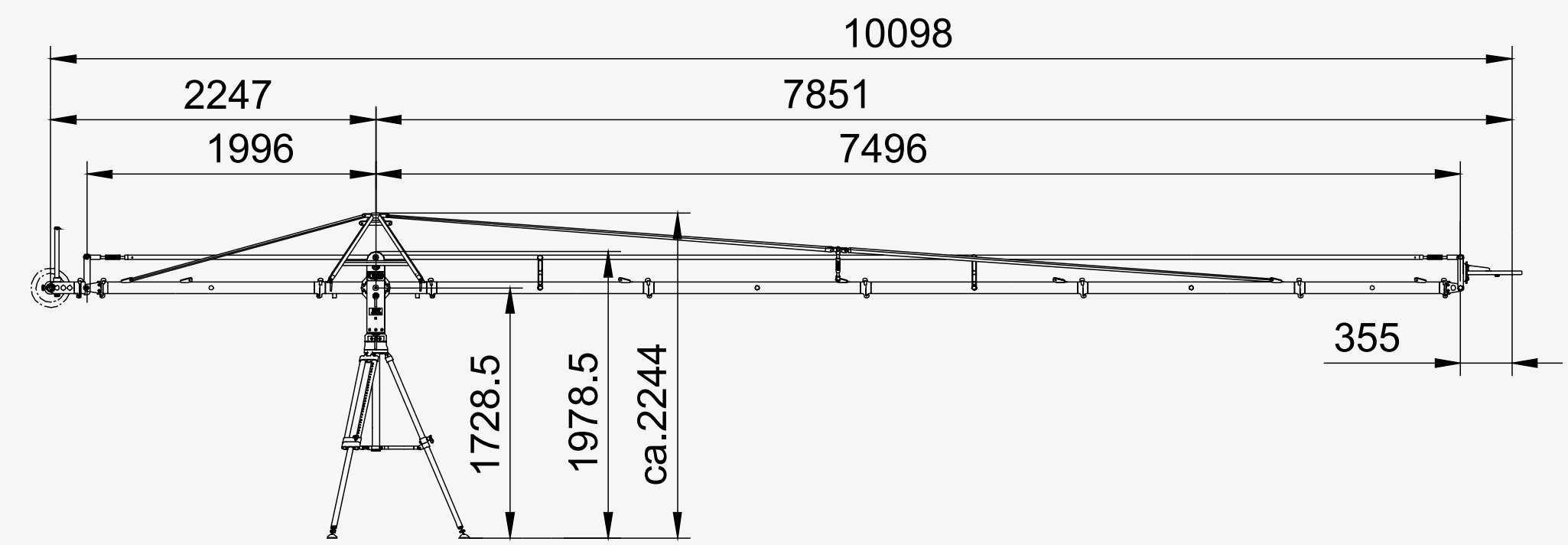
FOR MAX LIFT CAPACITY

183 kg / 403 lbs

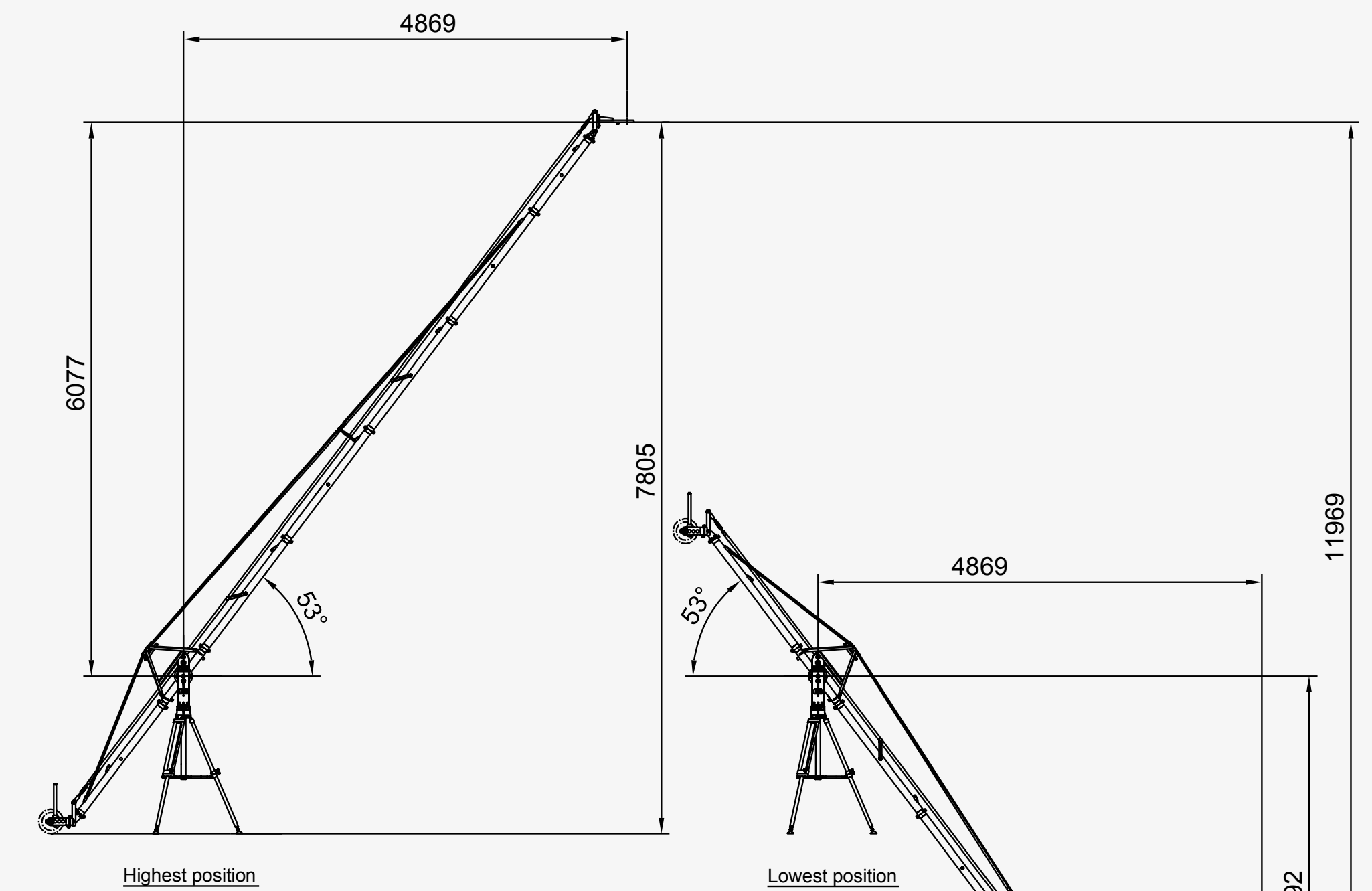
CRANE & BASE DOLLY WEIGHT

[EXCL. COUNTERWEIGHT]

125 kg / 276 lbs

V 8/150 TG


Horizontal position



Highest position

Lowest position

FRONT EXTENSIONS

4 x 150 cm / 5' + 1 x 100 cm / 3' 3"

REAR EXTENSIONS

1 x 150 cm / 5'

MAX HEIGHT

781 cm / 25' 7"

LIFT RANGE

1197 cm / 39' 3"

ARM REACH

785 cm / 25' 9"

LENGTH OF REAR END

225 cm / 7' 4"

PIVOT HEIGHT

173 cm / 5' 8"

LIFT CAPACITY

30 kg / 66 lbs

COUNTERWEIGHT REQUIRED

TO BALANCE EMPTY ARM

100 kg / 220 lbs

FOR MAX LIFT CAPACITY

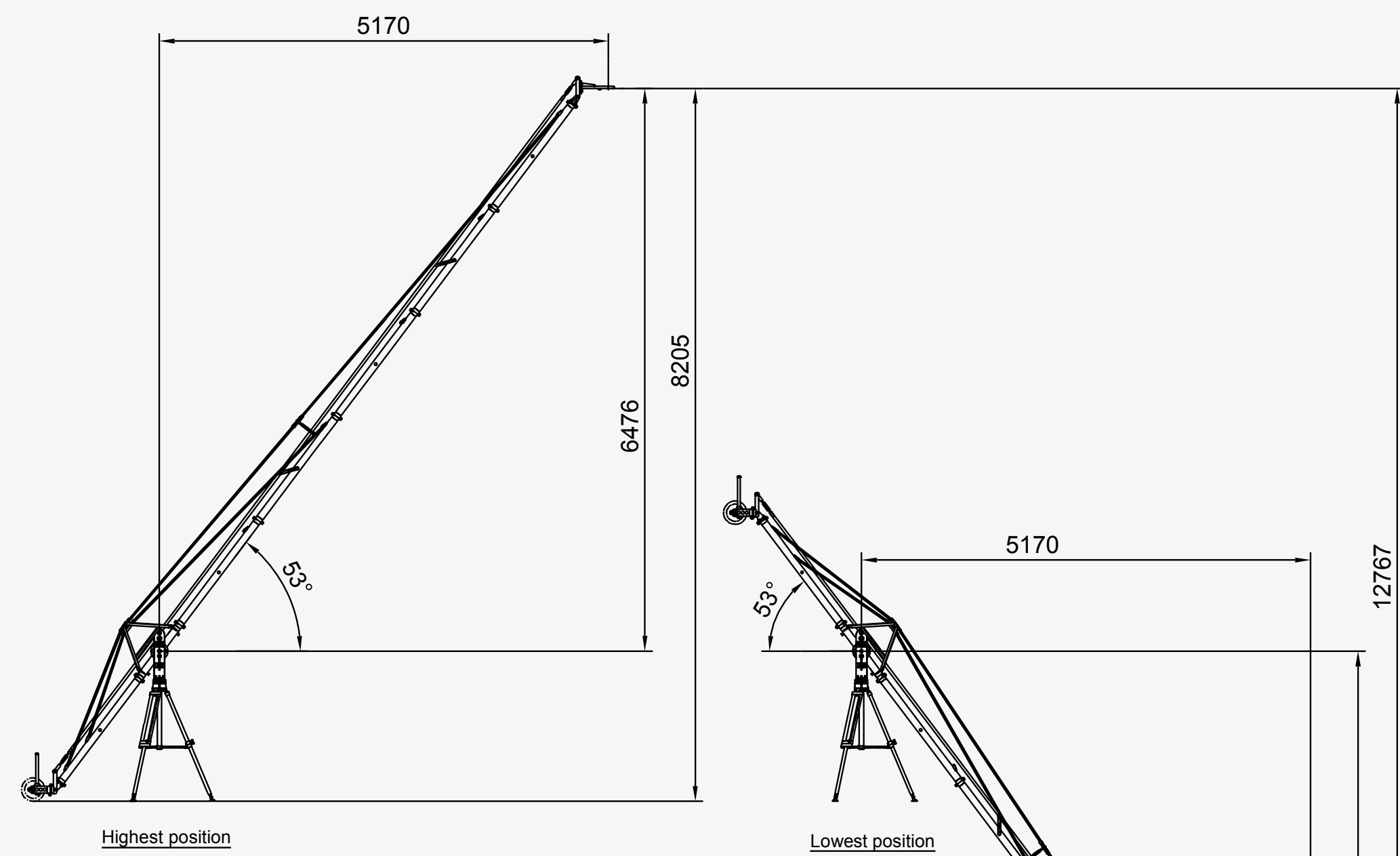
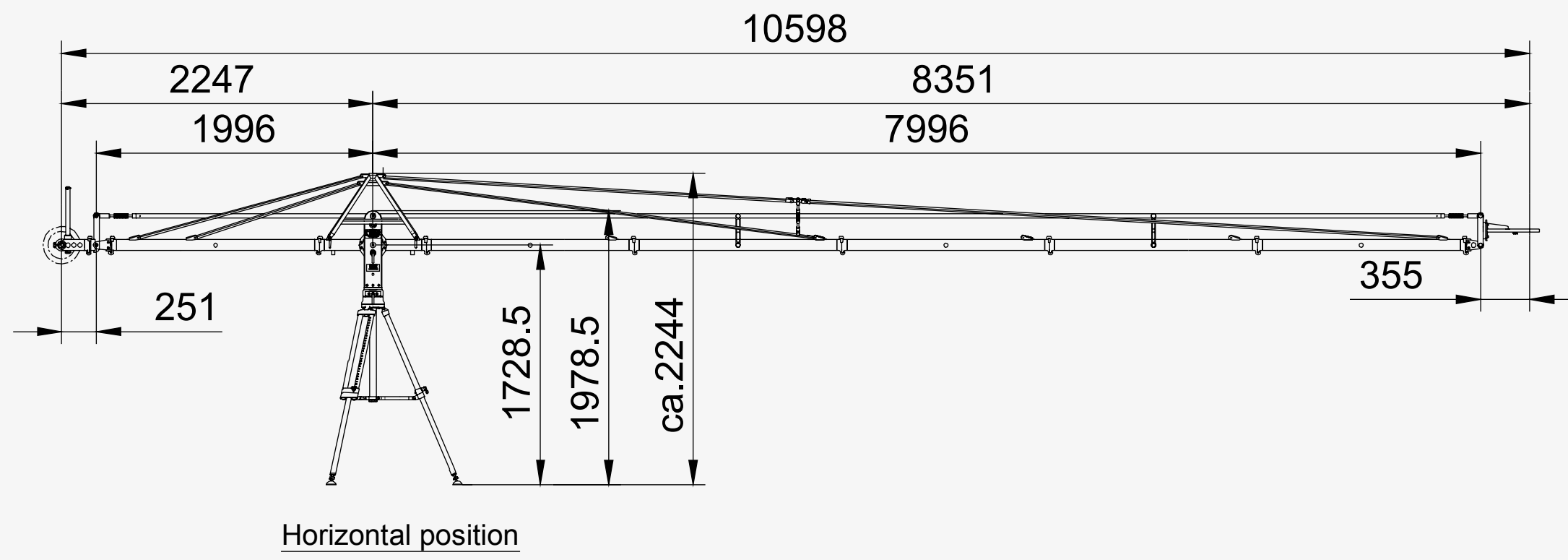
227 kg / 500 lbs

CRANE & BASE DOLLY WEIGHT

[EXCL. COUNTERWEIGHT]

131 kg / 289 lbs

Measurements in mm, unless otherwise specified

V 9/150 TG


FRONT EXTENSIONS
5 x 150 cm / 5'

REAR EXTENSIONS
1 x 150 cm / 5'

MAX HEIGHT
821 cm / 26' 11"

LIFT RANGE
1277 cm / 41' 11"

ARM REACH
835 cm / 27' 5"

LENGTH OF REAR END
225 cm / 7' 4"

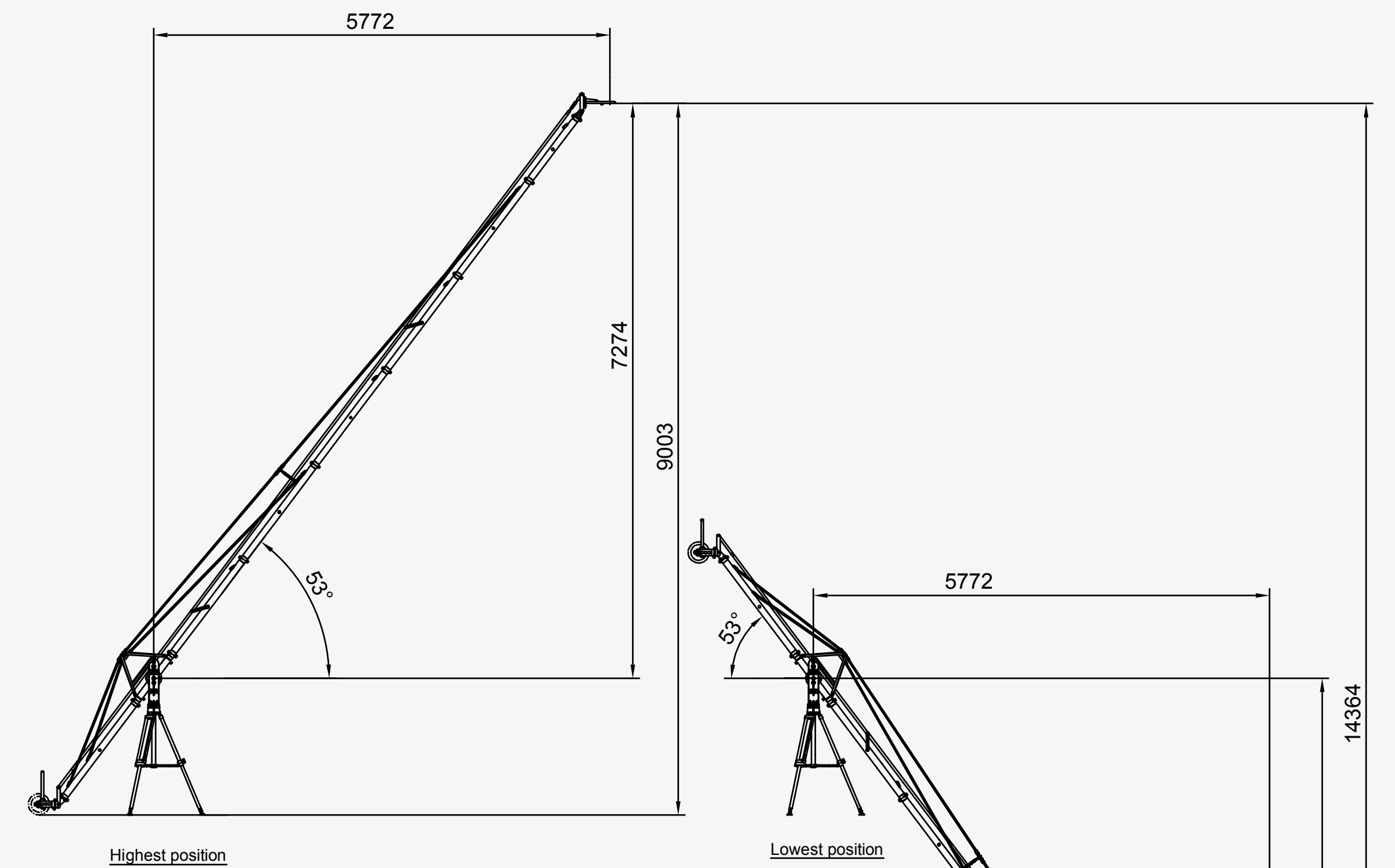
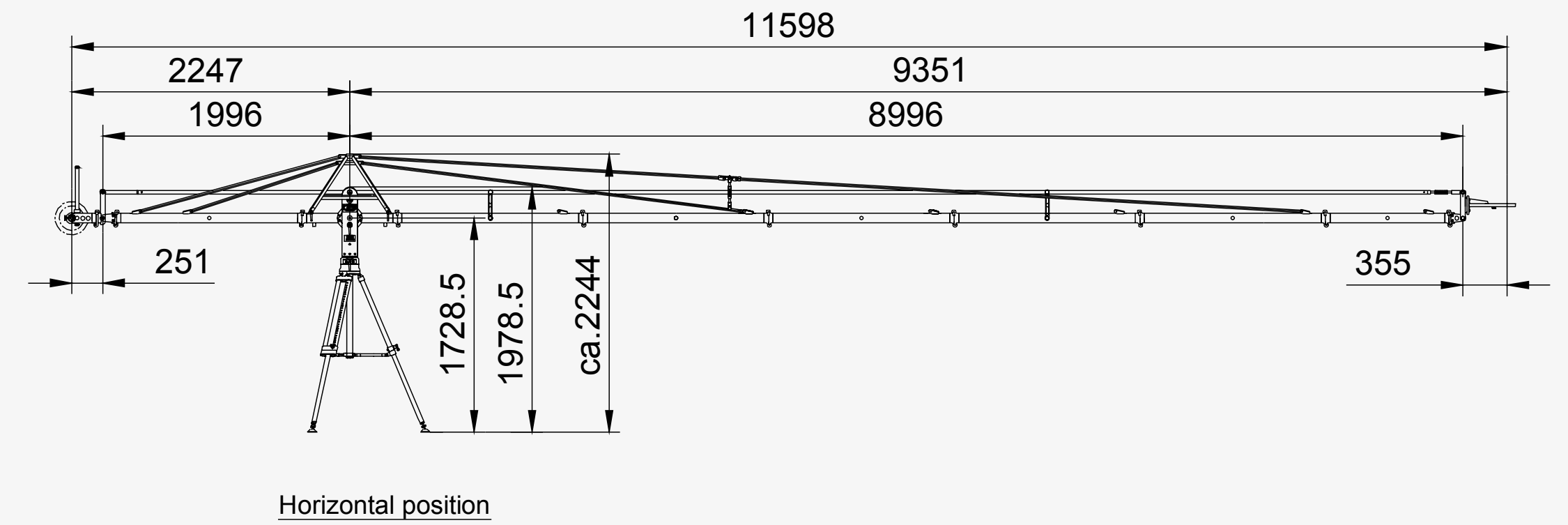
PIVOT HEIGHT
173 cm / 5' 8"

LIFT CAPACITY
30 kg / 66 lbs

COUNTERWEIGHT REQUIRED TO BALANCE EMPTY ARM
115 kg / 254 lbs

FOR MAX LIFT CAPACITY
247 kg / 545 lbs

CRANE & BASE DOLLY WEIGHT (EXCL. COUNTERWEIGHT)
141 kg / 310 lbs

V 10/150 TG


FRONT EXTENSIONS
5 x 150 cm / 5' + 1 x 100 cm / 3' 3"

REAR EXTENSIONS
1 x 150 cm / 5'

MAX HEIGHT
900 cm / 29' 6"

LIFT RANGE
1436 cm / 47' 2"

ARM REACH
935 cm / 30' 8"

LENGTH OF REAR END
225 cm / 7' 4"

PIVOT HEIGHT
173 cm / 5' 8"

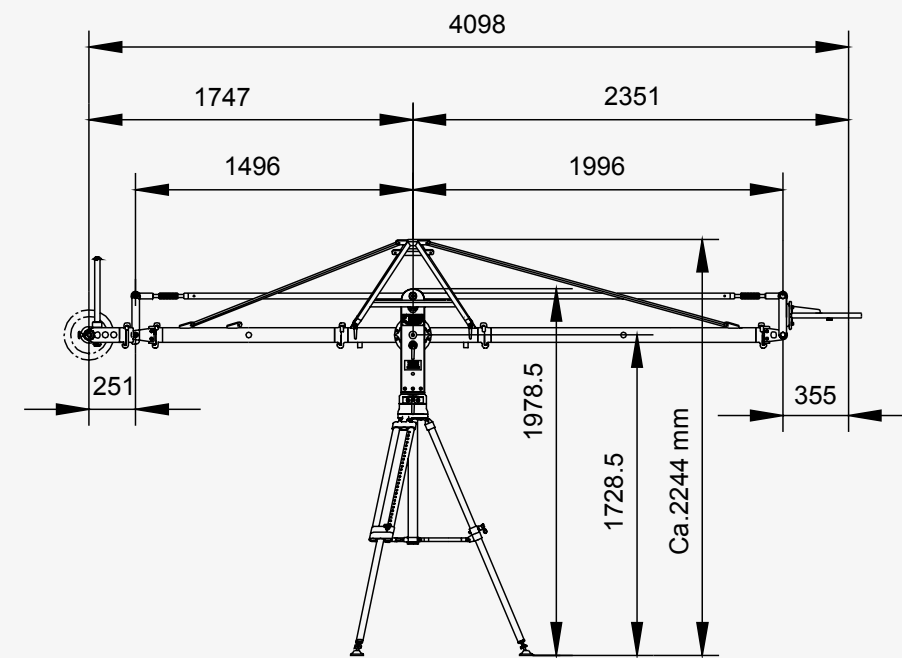
LIFT CAPACITY
25 kg / 55 lbs

COUNTERWEIGHT REQUIRED TO BALANCE EMPTY ARM
140 kg / 309 lbs

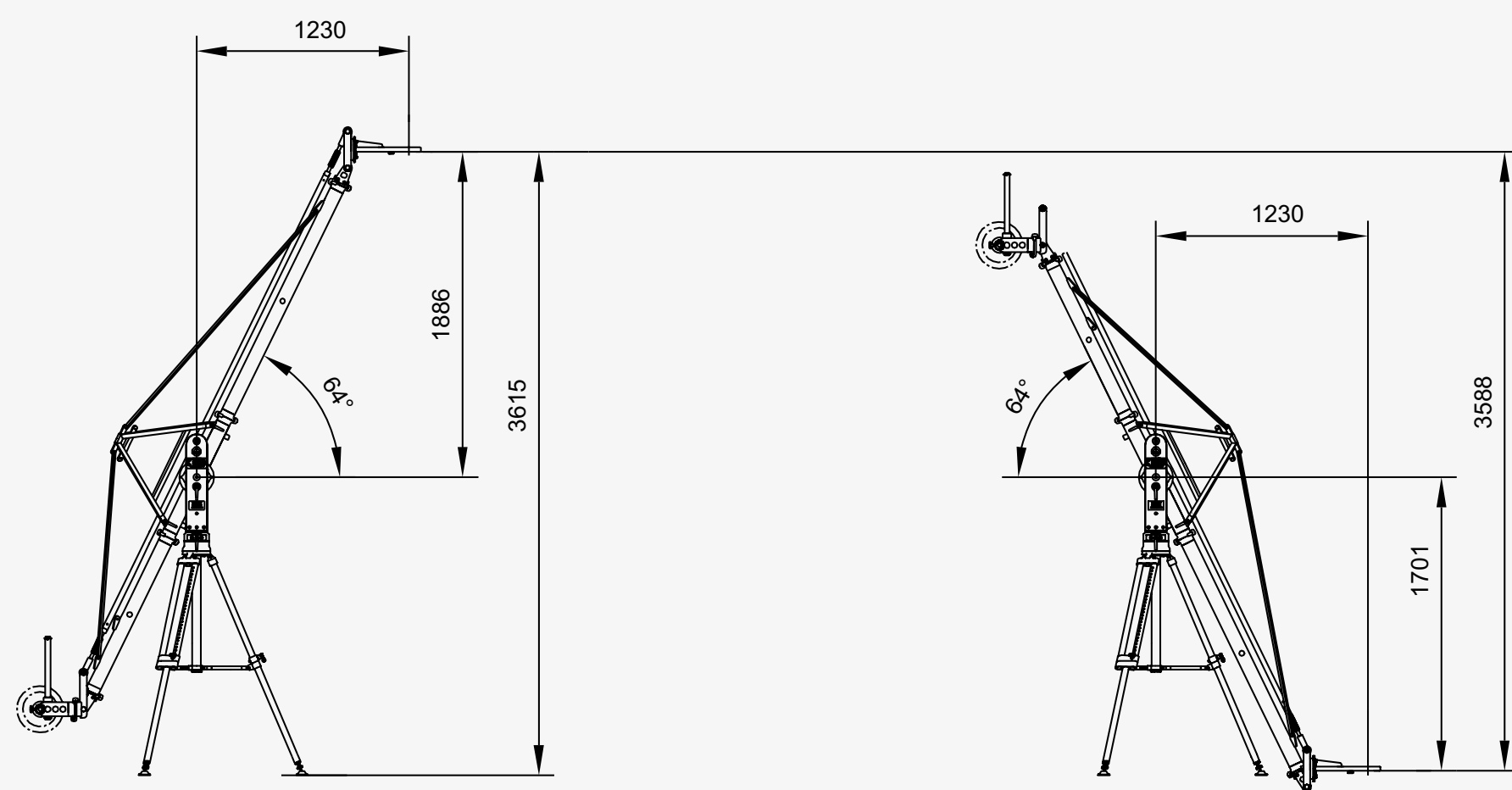
FOR MAX LIFT CAPACITY
260 kg / 573 lbs

CRANE & BASE DOLLY WEIGHT (EXCL. COUNTERWEIGHT)
146 kg / 321 lbs

Measurements in mm, unless otherwise specified

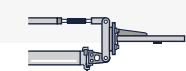
V 1/100 TG


Horizontal position



Highest position

Lowest position


FRONT EXTENSIONS

1 x 150 cm / 5'

REAR EXTENSIONS

1 x 100 cm / 3'3"

MAX HEIGHT

362 cm / 11'10"

LIFT RANGE

359 cm / 11'9"

ARM REACH

235 cm / 7'9"

LENGTH OF REAR END

175 cm / 5'9"

PIVOT HEIGHT

173 cm / 5'8"

LIFT CAPACITY

45 kg / 99 lbs

COUNTERWEIGHT REQUIRED

TO BALANCE EMPTY ARM

-

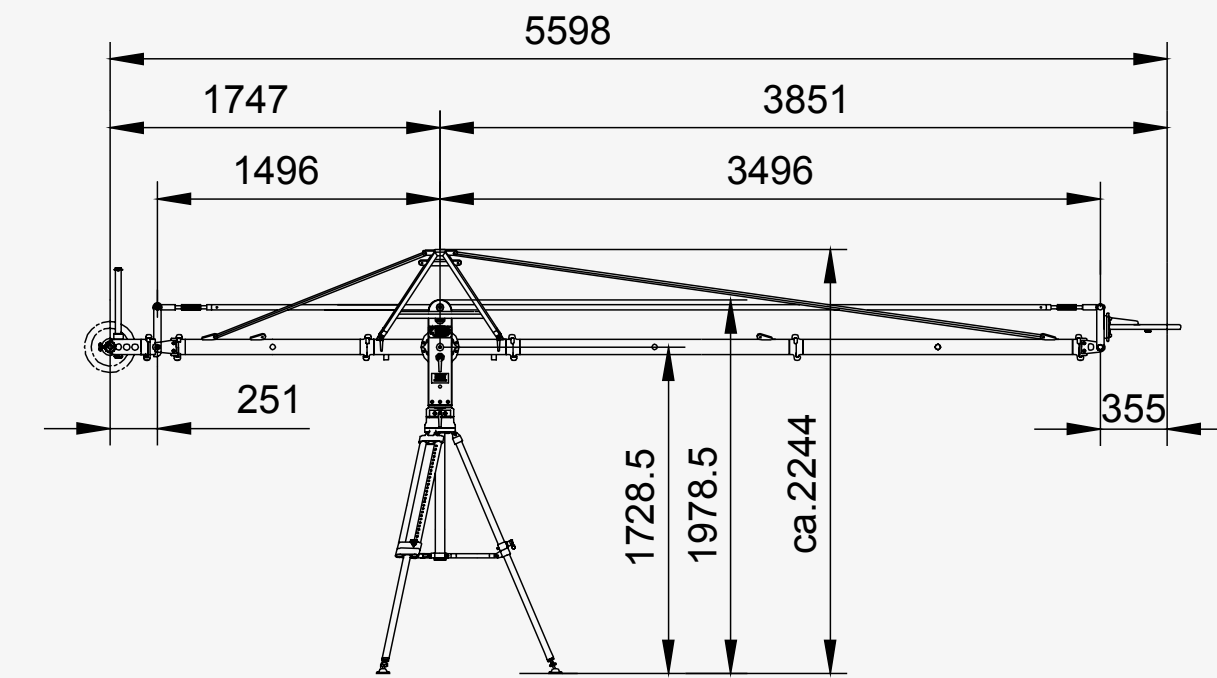
FOR MAX LIFT CAPACITY

63 kg / 139 lbs

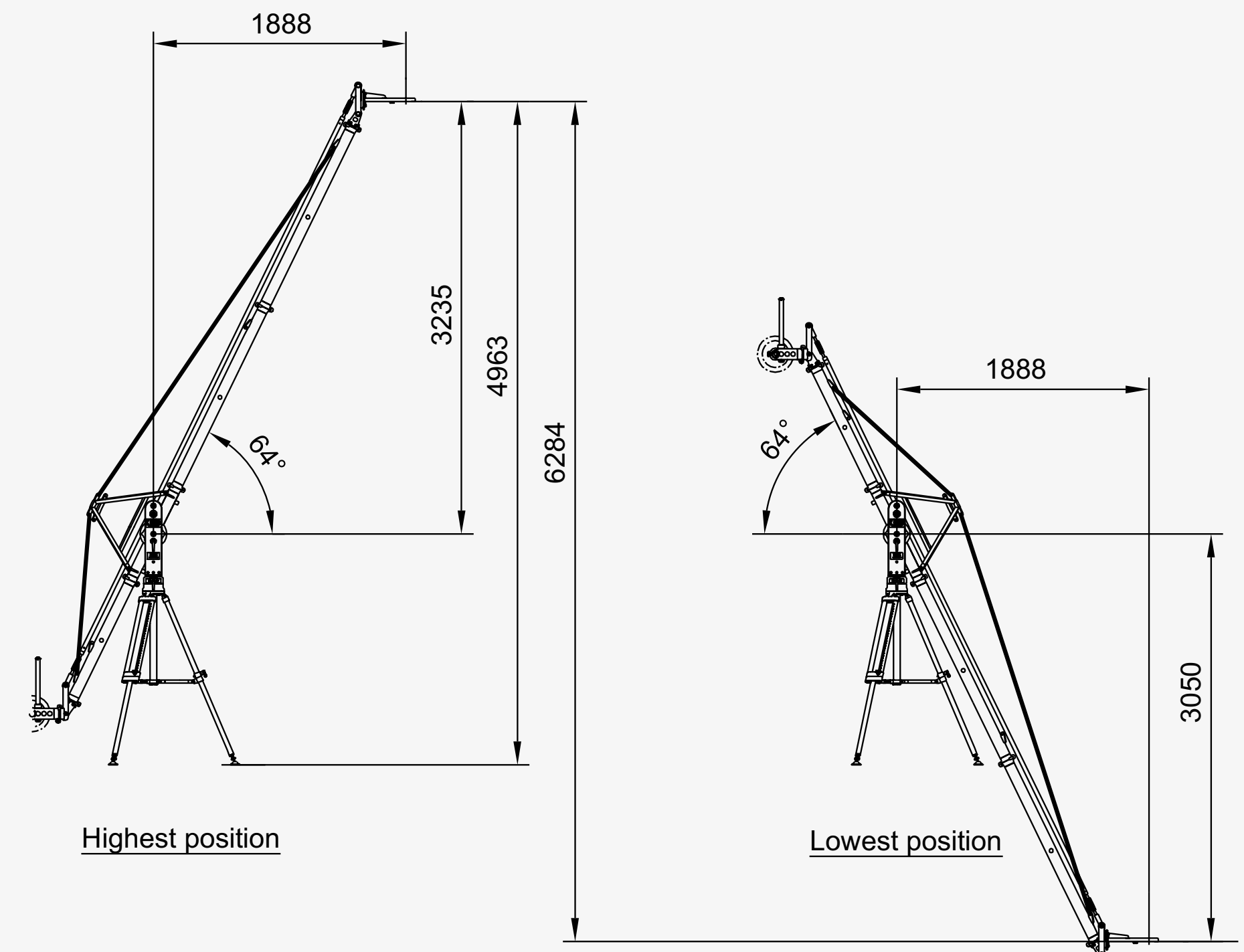
CRANE & BASE DOLLY WEIGHT

[EXCL. COUNTERWEIGHT]

91 kg / 201 lbs

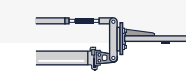
V 3/100 TG


Horizontal position



Highest position

Lowest position


FRONT EXTENSIONS

2 x 150 cm / 5'

REAR EXTENSIONS

1 x 100 cm / 3'3"

MAX HEIGHT

496 cm / 16'3"

LIFT RANGE

628 cm / 20'7"

ARM REACH

385 cm / 12'8"

LENGTH OF REAR END

175 cm / 5'9"

PIVOT HEIGHT

173 cm / 5'8"

LIFT CAPACITY

45 kg / 99 lbs

COUNTERWEIGHT REQUIRED

TO BALANCE EMPTY ARM

24 kg / 53 lbs

FOR MAX LIFT CAPACITY

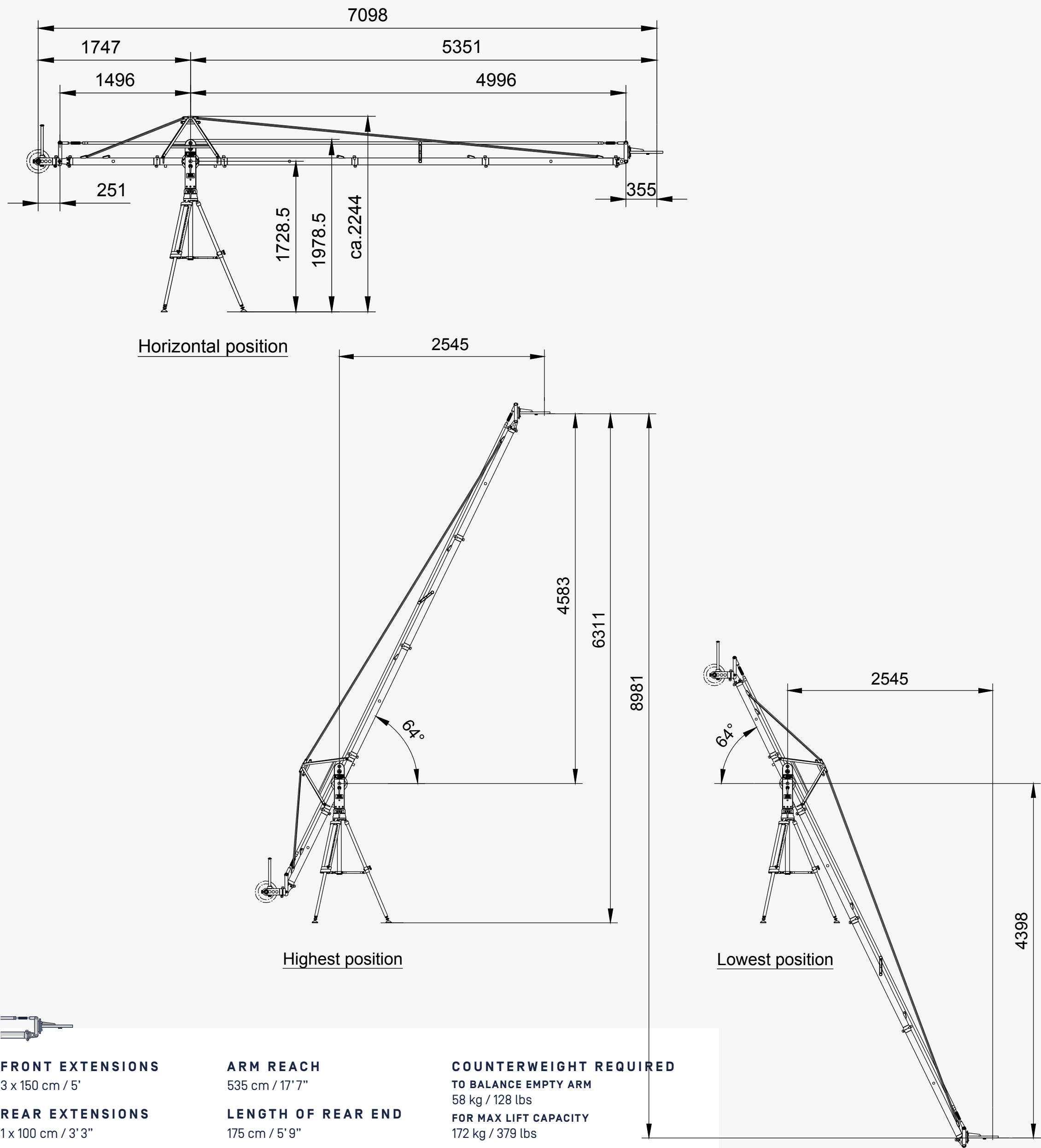
135 kg / 298 lbs

CRANE & BASE DOLLY WEIGHT

[EXCL. COUNTERWEIGHT]

101 kg / 222 lbs

Measurements in mm, unless otherwise specified

V 5/100 TG


FRONT EXTENSIONS
3 x 150 cm / 5'

REAR EXTENSIONS
1 x 100 cm / 3'3"

MAX HEIGHT
631 cm / 20'8"

LIFT RANGE
898 cm / 29'6"

ARM REACH
535 cm / 17'7"

LENGTH OF REAR END
175 cm / 5'9"

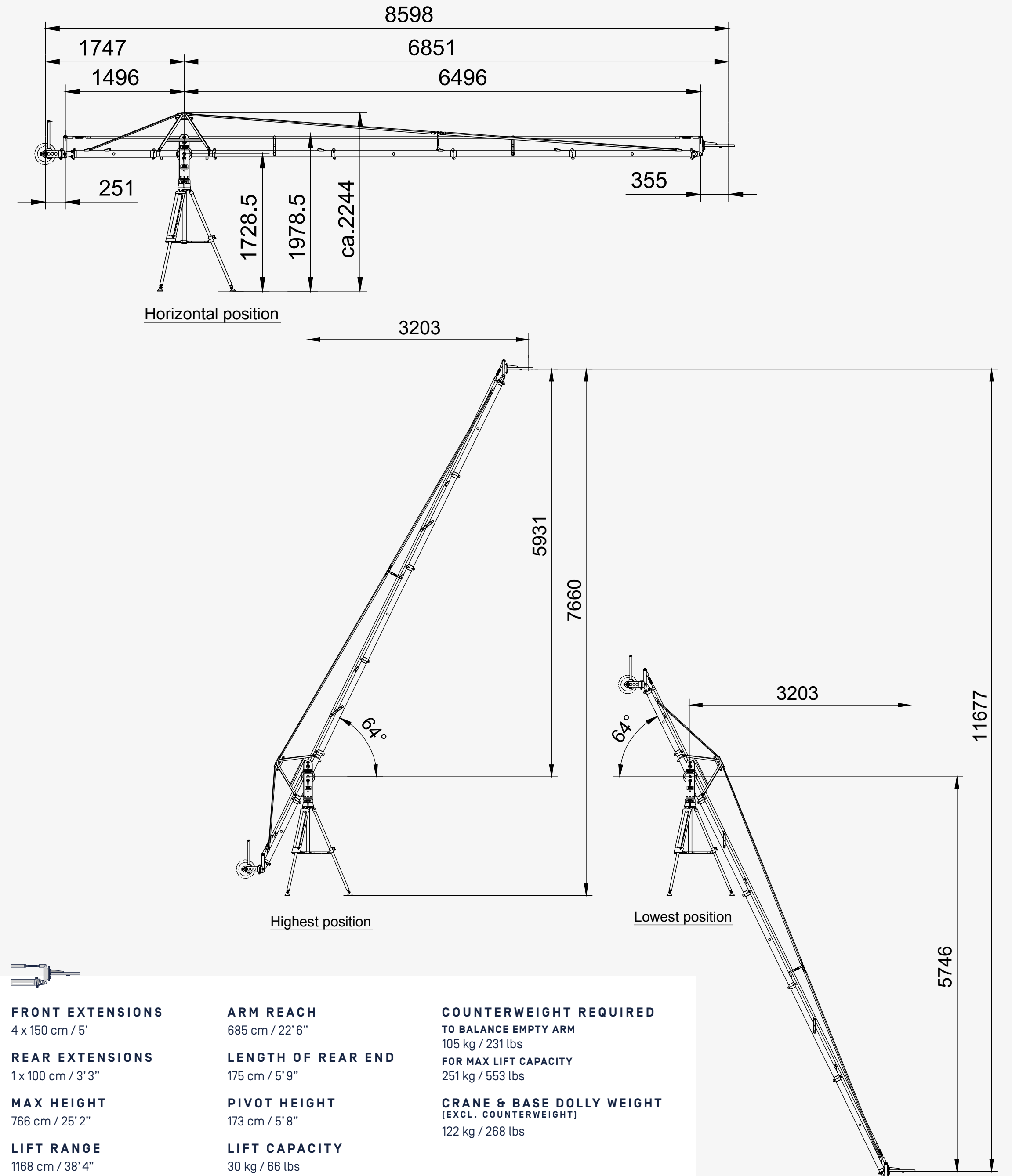
PIVOT HEIGHT
173 cm / 5'8"

LIFT CAPACITY
30 kg / 66 lbs

COUNTERWEIGHT REQUIRED TO BALANCE EMPTY ARM
58 kg / 128 lbs

FOR MAX LIFT CAPACITY
172 kg / 379 lbs

CRANE & BASE DOLLY WEIGHT (EXCL. COUNTERWEIGHT)
111 kg / 245 lbs

V 7/100 TG


FRONT EXTENSIONS
4 x 150 cm / 5'

REAR EXTENSIONS
1 x 100 cm / 3'3"

MAX HEIGHT
766 cm / 25'2"

LIFT RANGE
1168 cm / 38'4"

ARM REACH
685 cm / 22'6"

LENGTH OF REAR END
175 cm / 5'9"

PIVOT HEIGHT
173 cm / 5'8"

LIFT CAPACITY
30 kg / 66 lbs

COUNTERWEIGHT REQUIRED TO BALANCE EMPTY ARM
105 kg / 231 lbs

FOR MAX LIFT CAPACITY
251 kg / 553 lbs

CRANE & BASE DOLLY WEIGHT (EXCL. COUNTERWEIGHT)
122 kg / 268 lbs

Measurements in mm, unless otherwise specified