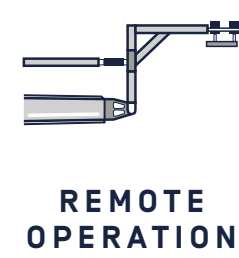
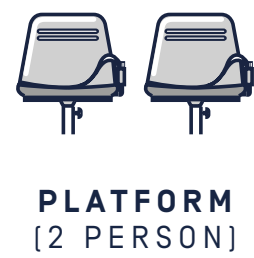


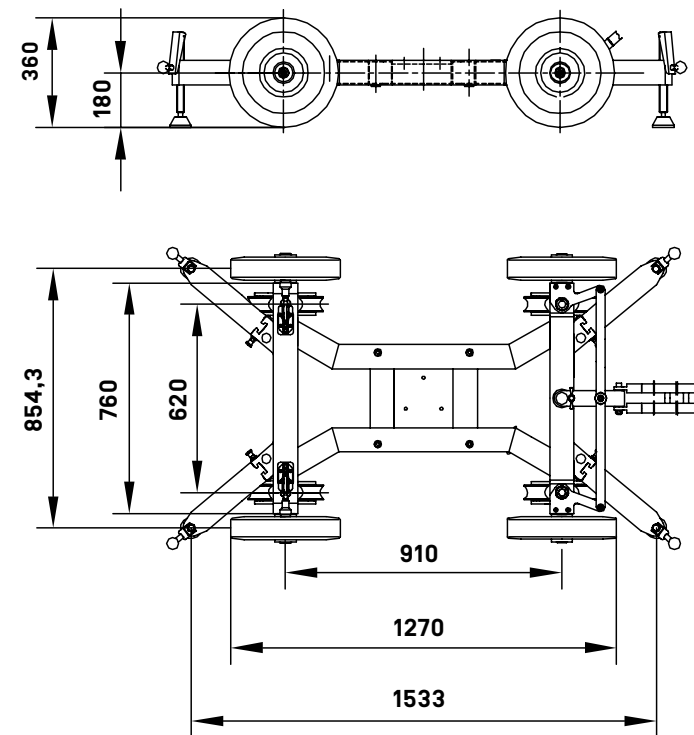
**TECHNICAL SPECIFICATIONS —  
GF-8 XTEN CRANE SYSTEM**

#		Max. Euro-adapter height / Max. Mitchell plate height	Lift range	Arm reach	Length of rear end	Front extensions	Rear extensions	Lift capacity [working load]	Counterweight required for max. lift capacity	Crane & base dolly weight excluding counterweight
VERSION XTEN 1		483 cm / 15' 10"	564 cm / 18' 6"	401 cm / 13' 2"	253 cm / 8' 4"	2 x 150 cm / 5'	1 x 160 cm / 5' 3"	250 kg / 551 lbs	456 kg / 1005 lbs	315 kg / 694 lbs
VERSION XTEN 2		564 cm / 18' 6"	727 cm / 23' 10"	499 cm / 16' 4"	253 cm / 8' 4"	2 x 150 cm / 5' + 1 x 100 cm / 3' 3"	1 x 160 cm / 5' 3"	240 kg / 529 lbs	586 kg / 1292 lbs	332 kg / 733 lbs
VERSION XTEN 3		687 cm / 22' 6"	971 cm / 31' 10"	647 cm / 21' 3"	253 cm / 8' 4"	3 x 150 cm / 5' + 1 x 100 cm / 3' 3"	1 x 160 cm / 5' 3"	170 kg / 375 lbs	600 kg / 1323 lbs	351 kg / 774 lbs
VERSION XTEN 4		728 cm / 23' 11"	1054 cm / 34' 7"	697 cm / 22' 10"	253 cm / 8' 4"	4 x 150 cm / 5'	1 x 160 cm / 5' 3"	140 kg / 309 lbs	600 kg / 1323 lbs	359 kg / 790 lbs
VERSION XTEN 5		869 cm / 28' 6"	1299 cm / 42' 8"	855 cm / 28' 1"	253 cm / 8' 4"	5 x 150 cm / 5'	1 x 160 cm / 5' 3"	80 kg / 176 lbs	526 kg / 1160 lbs	367 kg / 809 lbs
VERSION XTEN 6		950 cm / 31' 2"	1462 cm / 47' 11"	953 cm / 31' 3"	253 cm / 8' 4"	5 x 150 cm / 5' + 1 x 100 cm / 3' 3"	1 x 160 cm / 5' 3"	70 kg / 154 lbs	588 kg / 1296 lbs	378 kg / 834 lbs
VERSION XTEN 7		973 cm / 31' 11"	1506 cm / 49' 5"	980 cm / 32' 2"	253 cm / 8' 4"	5 x 150 cm / 5' + 1 x 127 cm / 4' 2"	1 x 160 cm / 5' 3"	65 kg / 143 lbs	602 kg / 1327 lbs	383 kg / 843 lbs
VERSION XTEN 8		1054 cm / 34' 7"	1660 cm / 54' 6"	1078 cm / 35' 4"	253 cm / 8' 4"	5 x 150 cm / 5' + 1 x 127 cm / 4' 2" + 1 x 100 cm / 3' 3"	1 x 160 cm / 5' 3"	50 kg / 110 lbs	602 kg / 1327 lbs	394 kg / 869 lbs

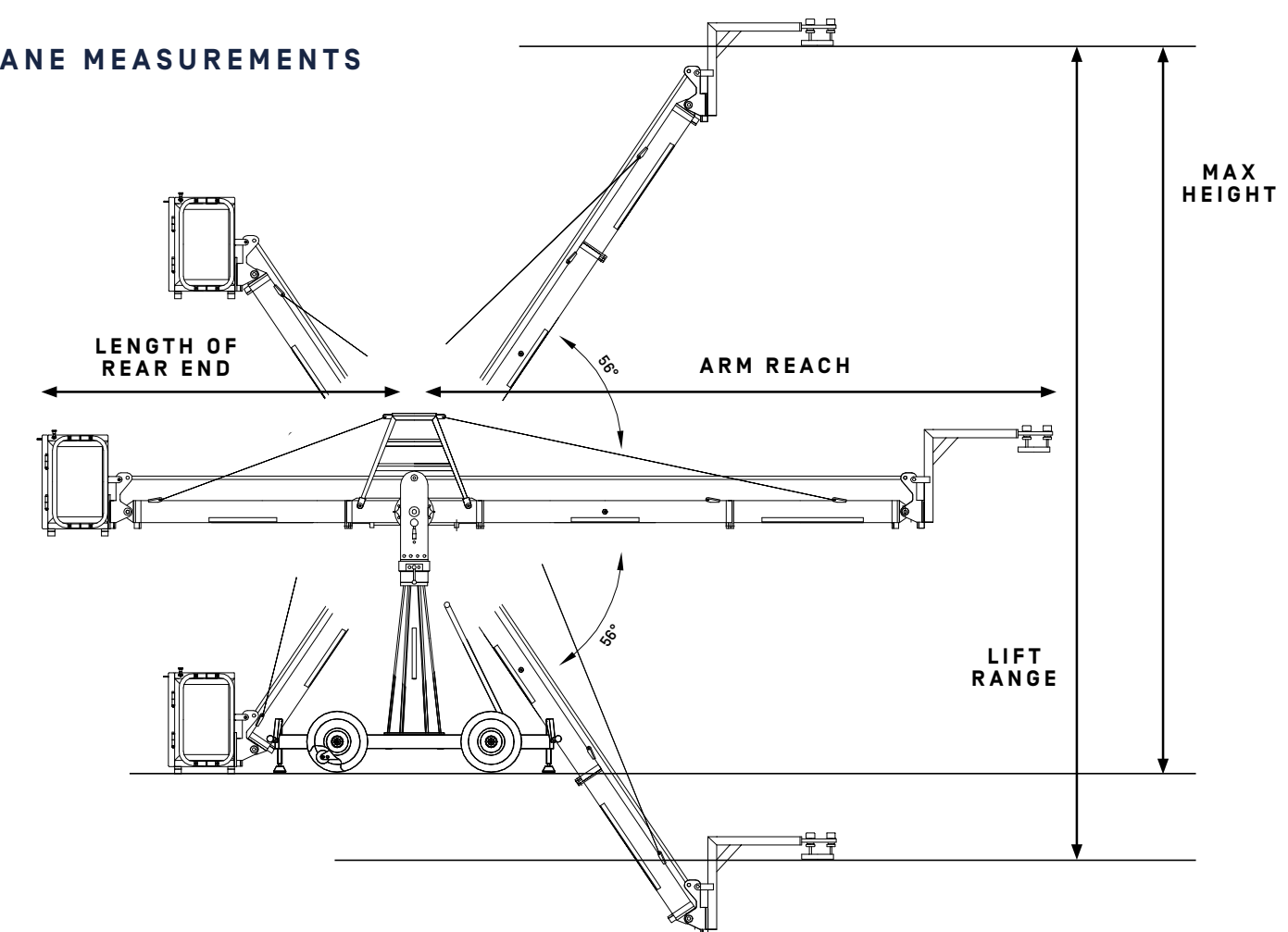


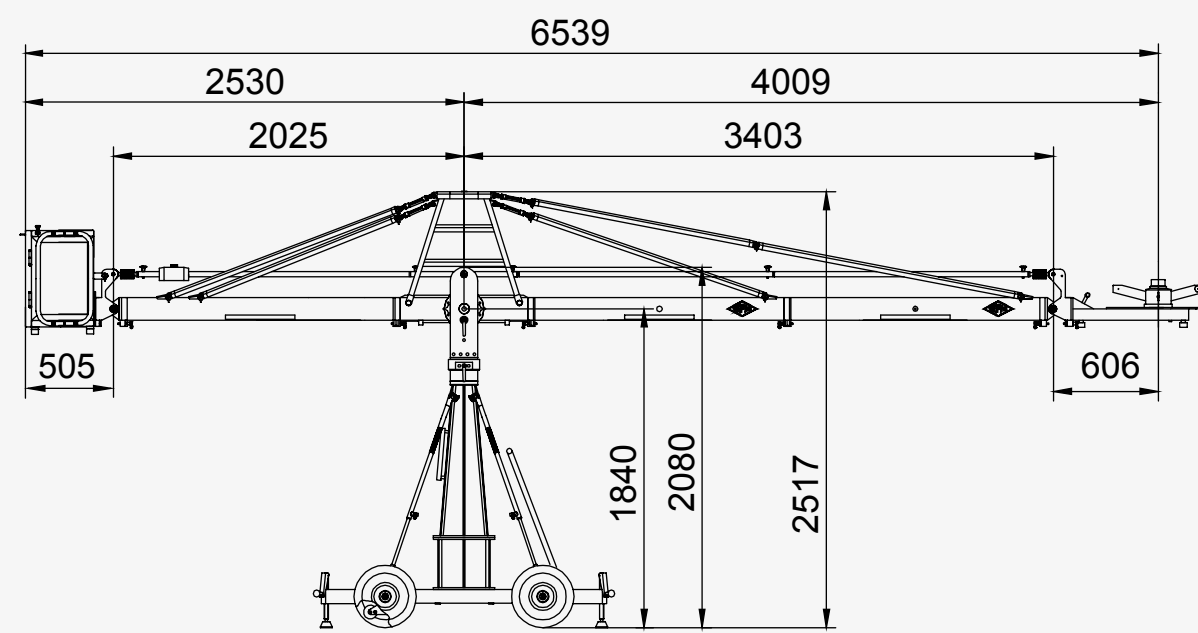
**DOLLY DIMENSIONS [IN MM]**  
(IDENTICAL FOR ALL VERSIONS)

**WEIGHT** – 112 kg / 247 lbs

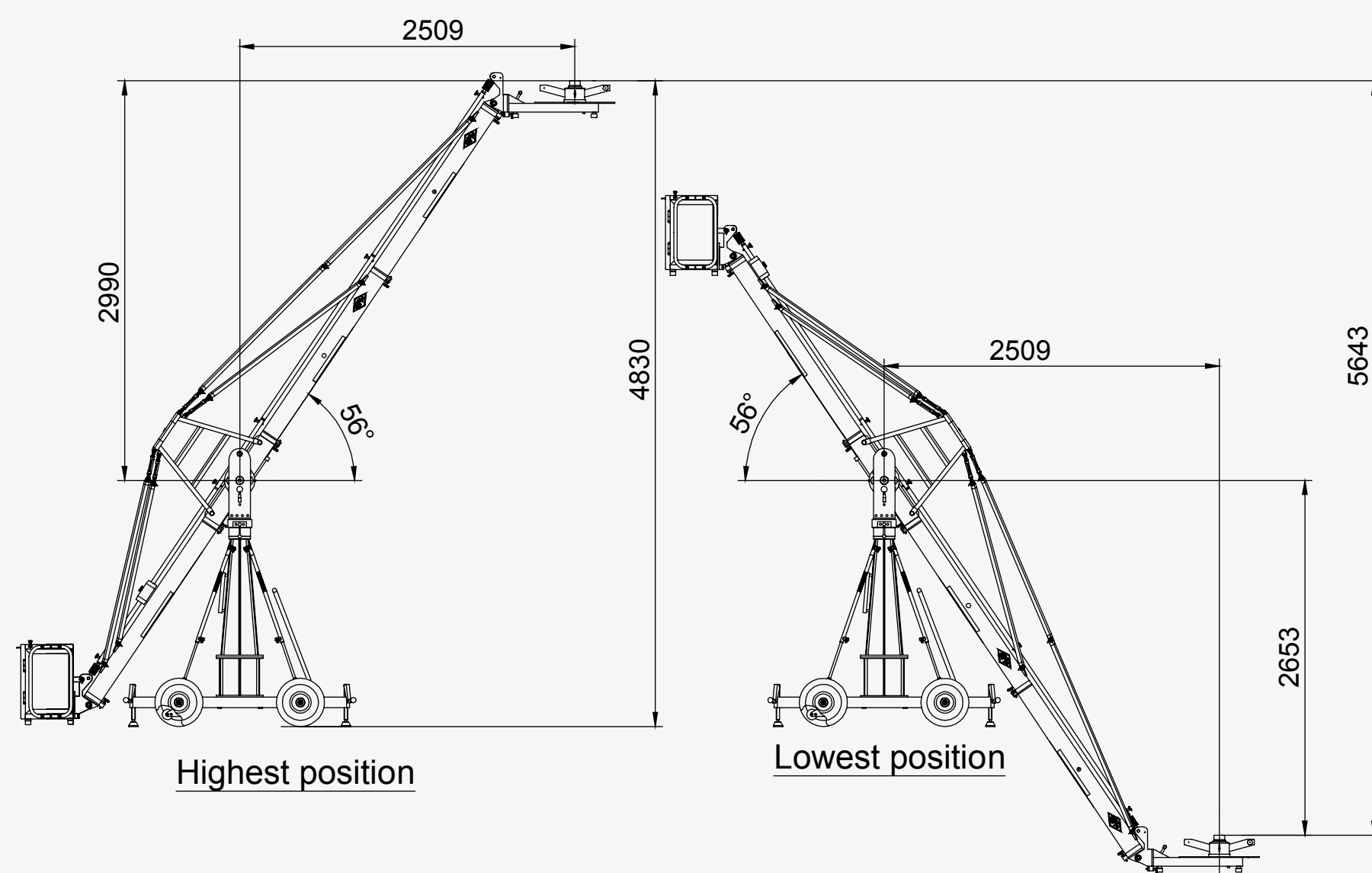


**CRANE MEASUREMENTS**



**VERSION XTEN 1**


Horizontal position



Highest position

Lowest position


**FRONT EXTENSIONS**

2 x 150 cm / 5'

**REAR EXTENSIONS**

1 x 160 cm / 5' 3"

**MAX HEIGHT**

483 cm / 15' 10"

**LIFT RANGE**

564 cm / 18' 6"

**ARM REACH**

401 cm / 13' 2"

**LENGTH OF REAR END**

253 cm / 8' 4"

**PIVOT HEIGHT**

184 cm / 6'

**LIFT CAPACITY**

250 kg / 551 lbs

**COUNTERWEIGHT REQUIRED**
**TO BALANCE EMPTY ARM**

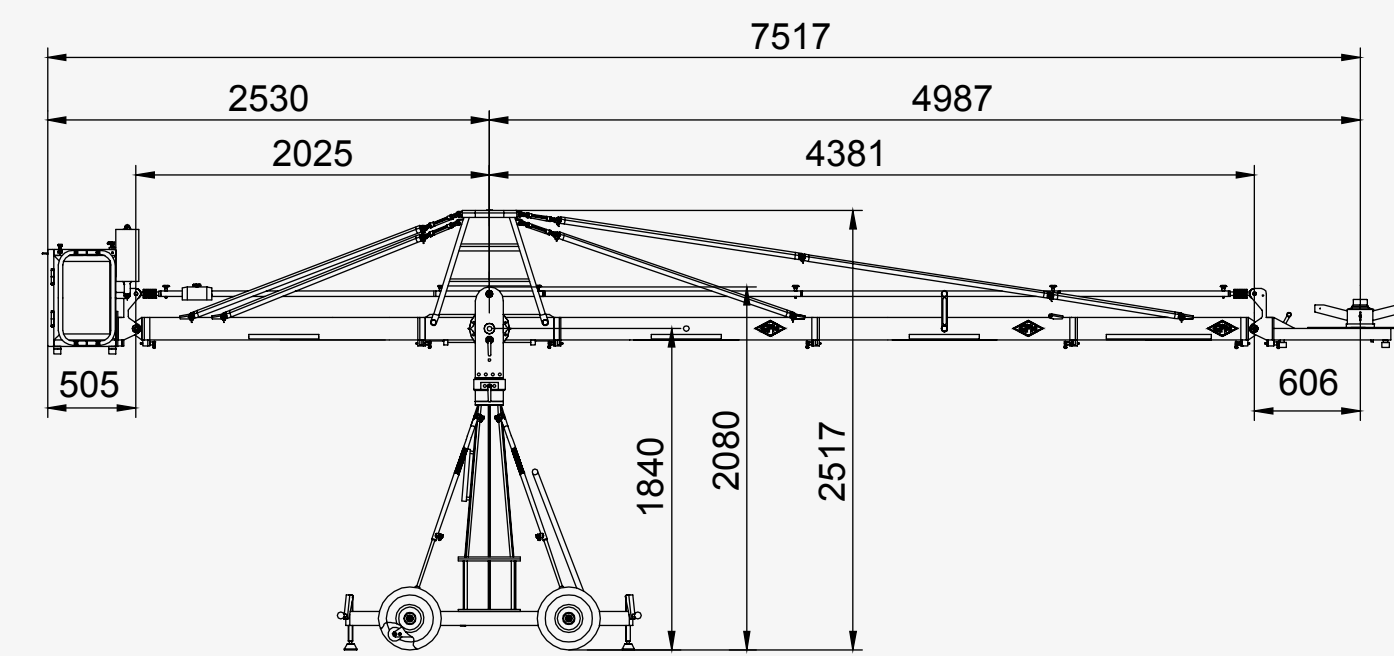
28 kg / 62 lbs

**FOR MAX LIFT CAPACITY**

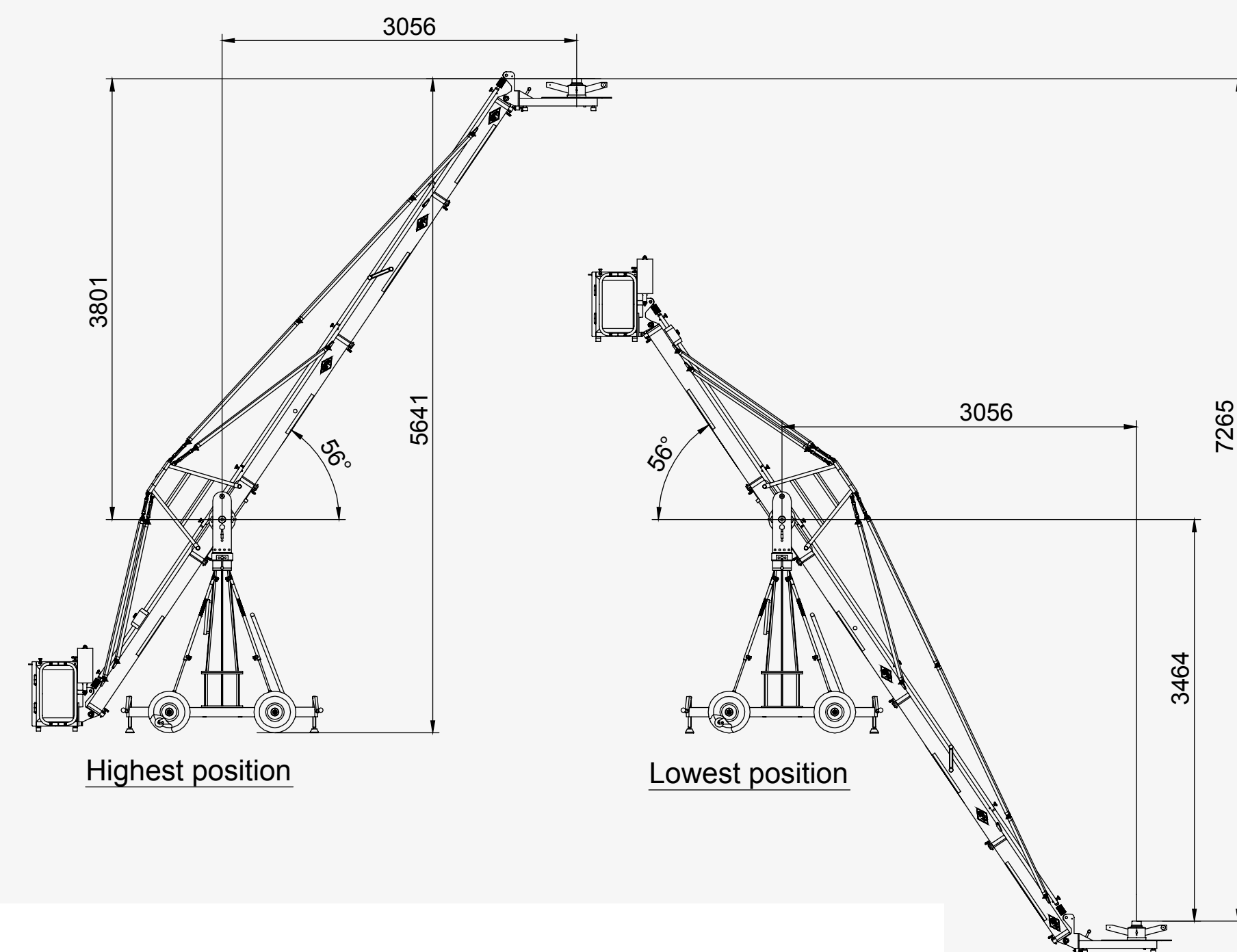
456 kg / 1005 lbs

**CRANE & BASE DOLLY WEIGHT**
**[EXCL. COUNTERWEIGHT]**

315 kg / 694 lbs

**VERSION XTEN 2**


Horizontal position



Highest position

Lowest position


**FRONT EXTENSIONS**

2 x 150 cm / 5' + 1 x 100 cm / 3' 3"

**REAR EXTENSIONS**

1 x 160 cm / 5' 3"

**MAX HEIGHT**

564 cm / 18' 6"

**LIFT RANGE**

727 cm / 23' 10"

**ARM REACH**

499 cm / 16' 4"

**LENGTH OF REAR END**

253 cm / 8' 4"

**PIVOT HEIGHT**

184 cm / 6'

**LIFT CAPACITY**

240 kg / 529 lbs

**COUNTERWEIGHT REQUIRED**
**TO BALANCE EMPTY ARM**

64 kg / 141 lbs

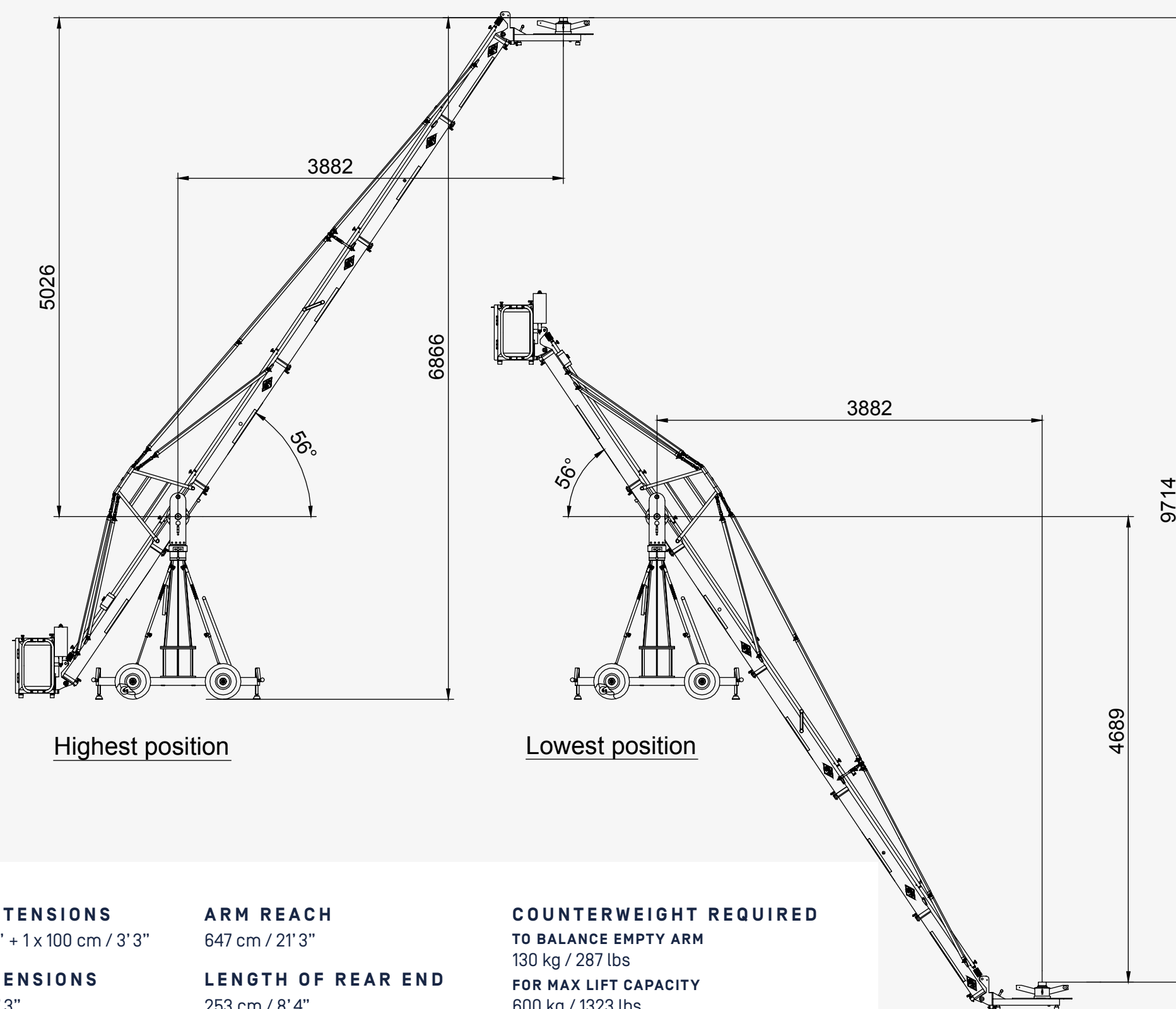
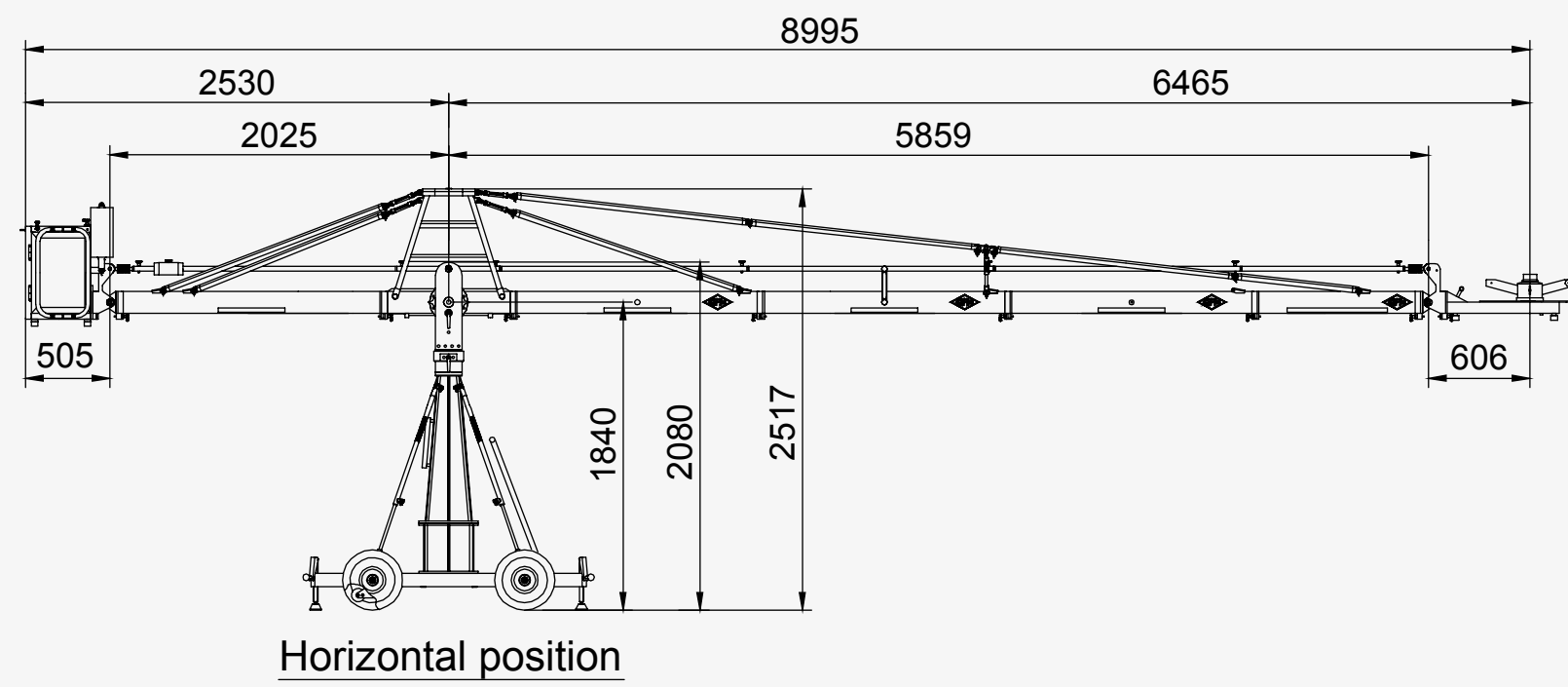
**FOR MAX LIFT CAPACITY**

586 kg / 1292 lbs

**CRANE & BASE DOLLY WEIGHT**
**[EXCL. COUNTERWEIGHT]**

332 kg / 733 lbs

Measurements in mm, unless otherwise specified

**VERSION XTEN 3**


**FRONT EXTENSIONS**  
3 x 150 cm / 5' + 1 x 100 cm / 3' 3"

**REAR EXTENSIONS**  
1 x 160 cm / 5' 3"

**MAX HEIGHT**  
687 cm / 22' 6"

**LIFT RANGE**  
971 cm / 31' 10"

**ARM REACH**  
647 cm / 21' 3"

**LENGTH OF REAR END**  
253 cm / 8' 4"

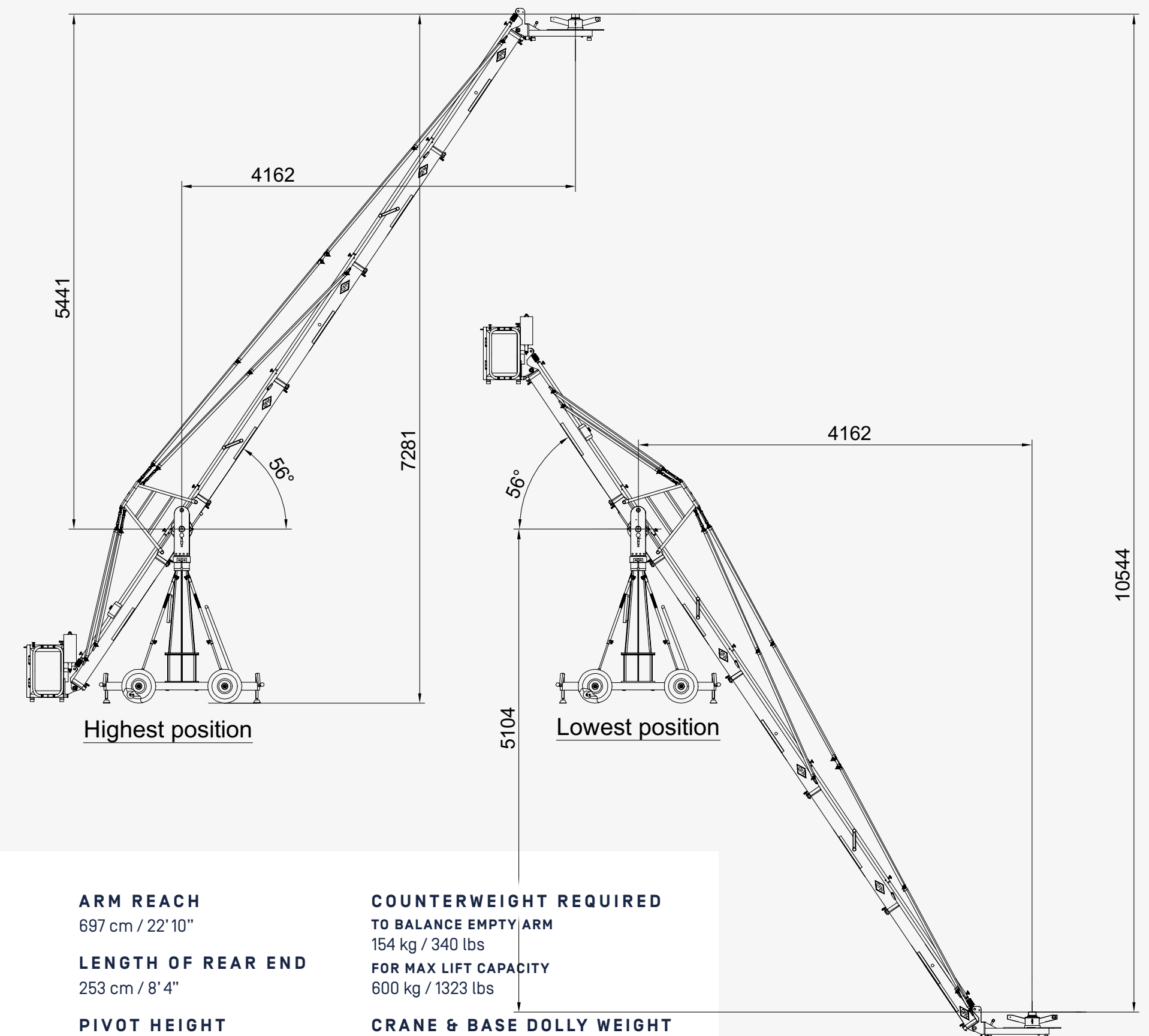
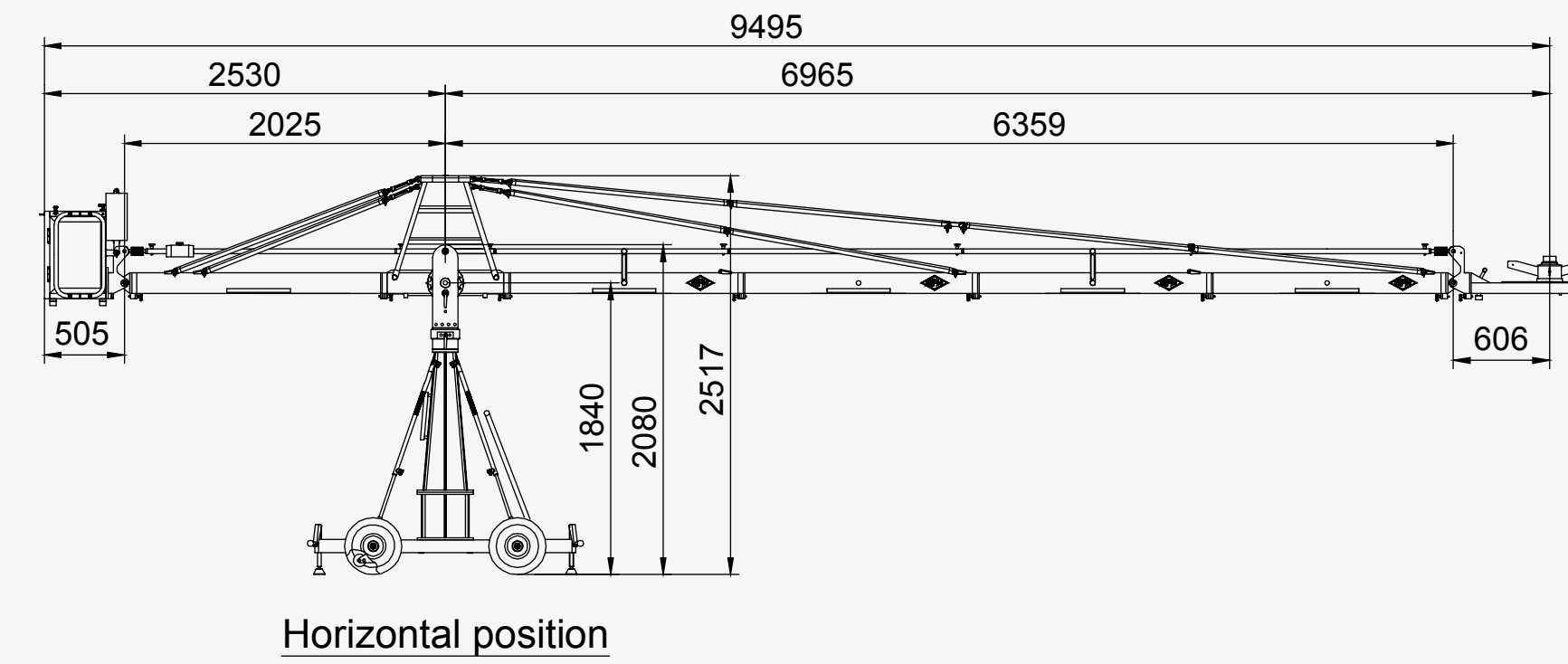
**PIVOT HEIGHT**  
184 cm / 6'

**LIFT CAPACITY**  
170 kg / 375 lbs

**COUNTERWEIGHT REQUIRED TO BALANCE EMPTY ARM**  
130 kg / 287 lbs

**FOR MAX LIFT CAPACITY**  
600 kg / 1323 lbs

**CRANE & BASE DOLLY WEIGHT (EXCL. COUNTERWEIGHT)**  
351 kg / 774 lbs

**VERSION XTEN 4**


**FRONT EXTENSIONS**  
4 x 150 cm / 5'

**REAR EXTENSIONS**  
1 x 160 cm / 5' 3"

**MAX HEIGHT**  
728 cm / 23' 11"

**LIFT RANGE**  
1054 cm / 34' 7"

**ARM REACH**  
697 cm / 22' 10"

**LENGTH OF REAR END**  
253 cm / 8' 4"

**PIVOT HEIGHT**  
184 cm / 6'

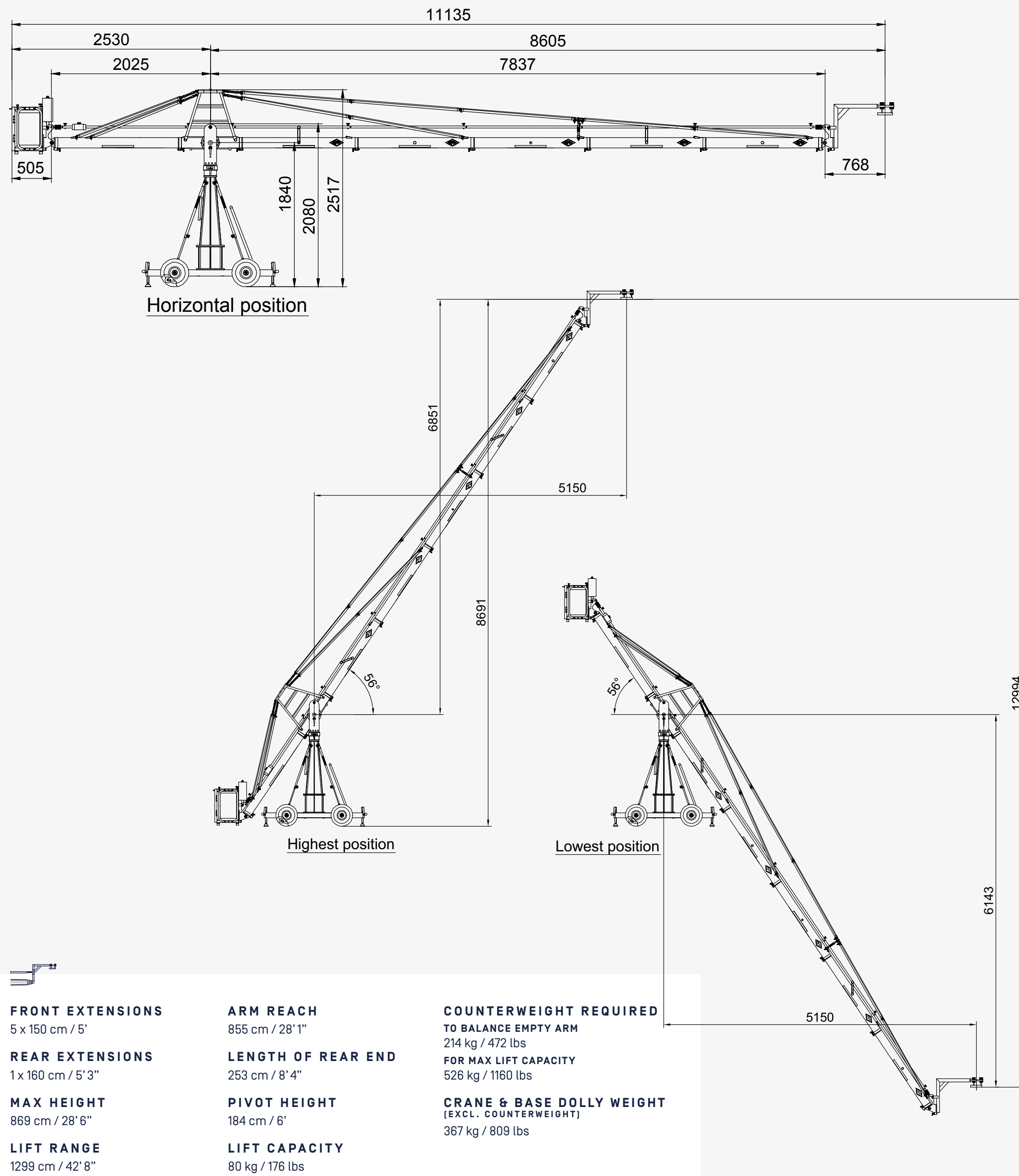
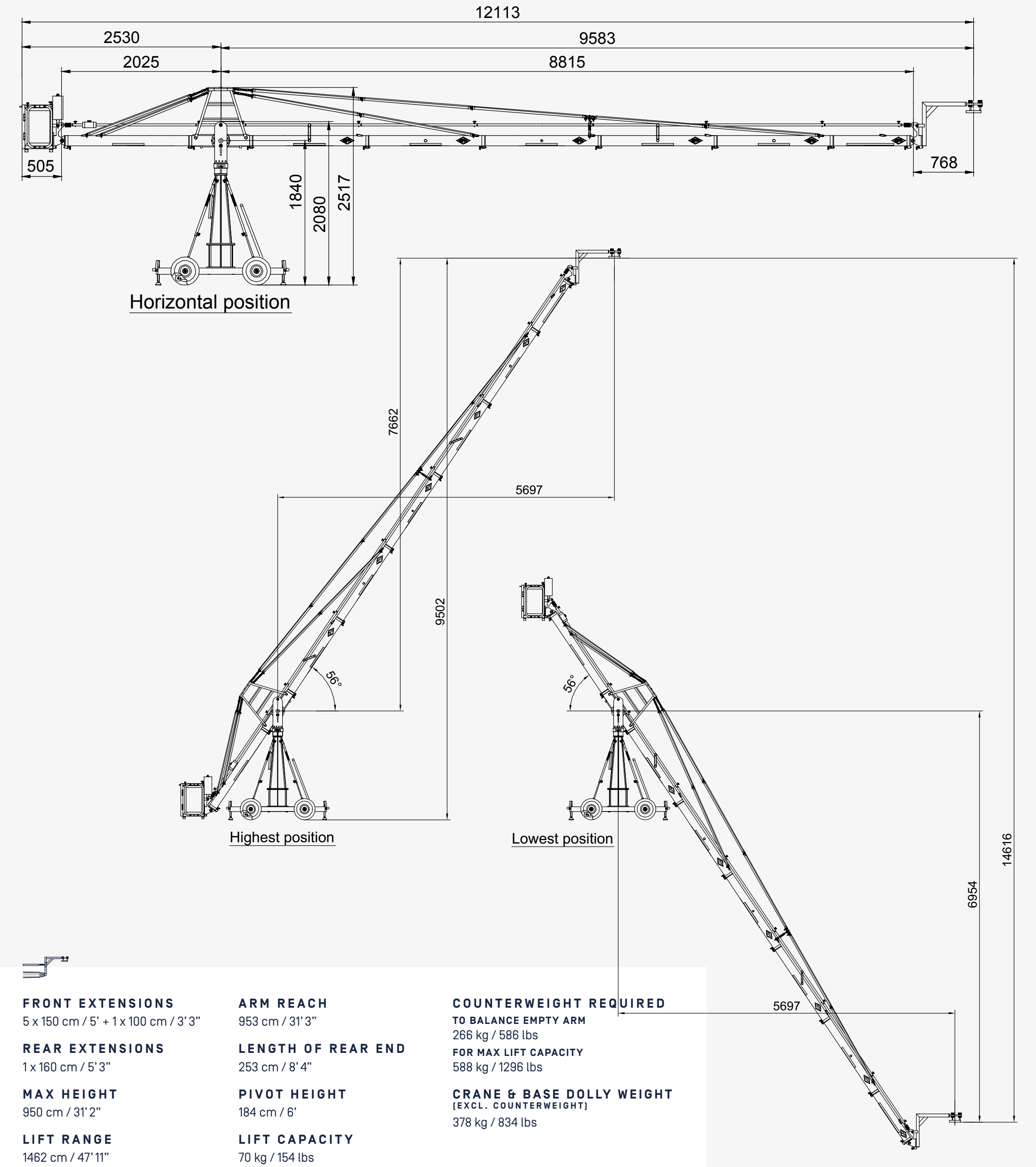
**LIFT CAPACITY**  
140 kg / 309 lbs

**COUNTERWEIGHT REQUIRED TO BALANCE EMPTY ARM**  
154 kg / 340 lbs

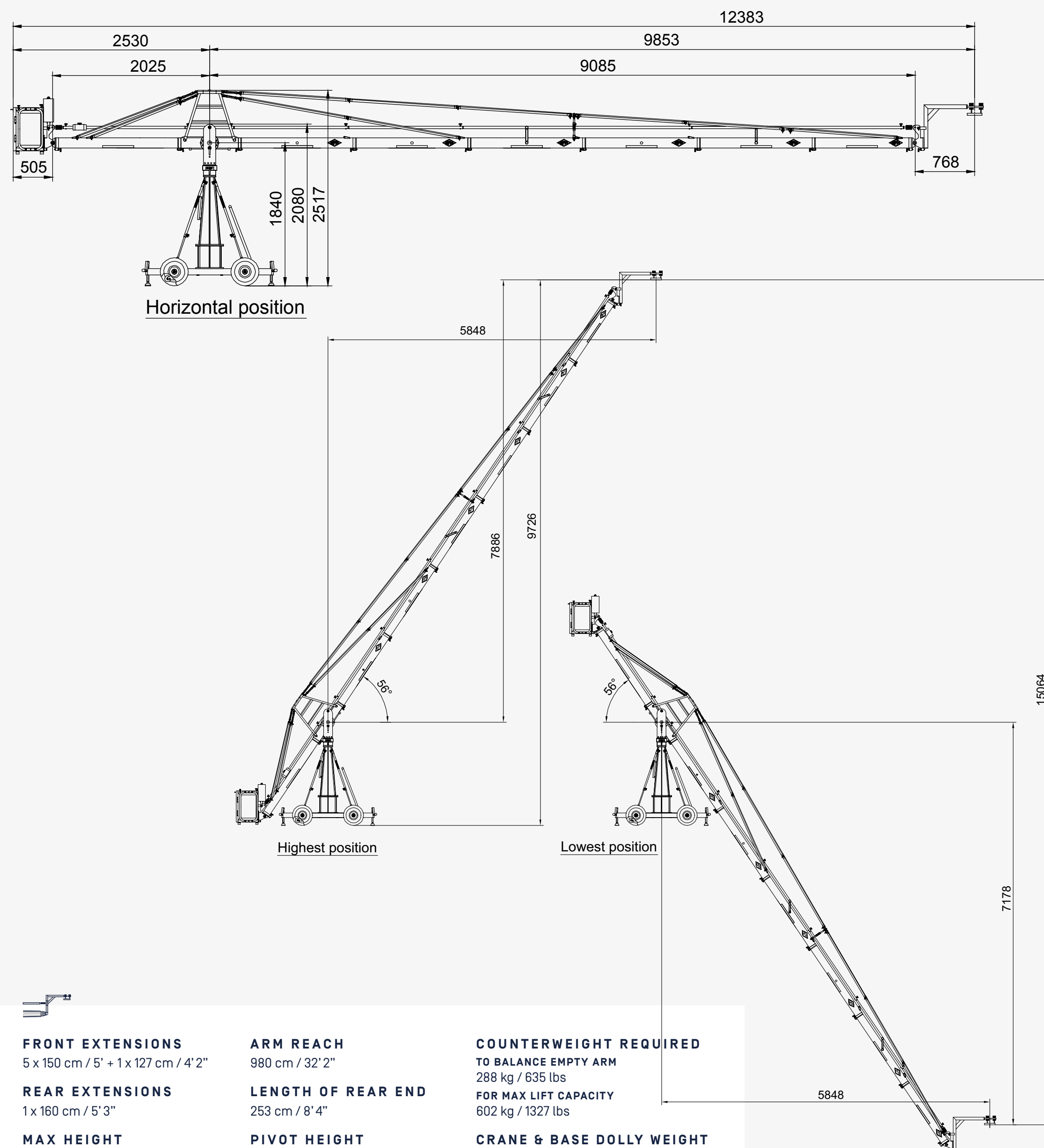
**FOR MAX LIFT CAPACITY**  
600 kg / 1323 lbs

**CRANE & BASE DOLLY WEIGHT (EXCL. COUNTERWEIGHT)**  
359 kg / 790 lbs

Measurements in mm, unless otherwise specified

**VERSION XTEN 5**

**VERSION XTEN 6**


Measurements in mm, unless otherwise specified

**VERSION XTEN 7**


**FRONT EXTENSIONS**  
5 x 150 cm / 5' + 1 x 127 cm / 4' 2"

**REAR EXTENSIONS**  
1 x 160 cm / 5' 3"

**MAX HEIGHT**  
973 cm / 31' 11"

**LIFT RANGE**  
1506 cm / 49' 5"

**ARM REACH**  
980 cm / 32' 2"

**LENGTH OF REAR END**  
253 cm / 8' 4"

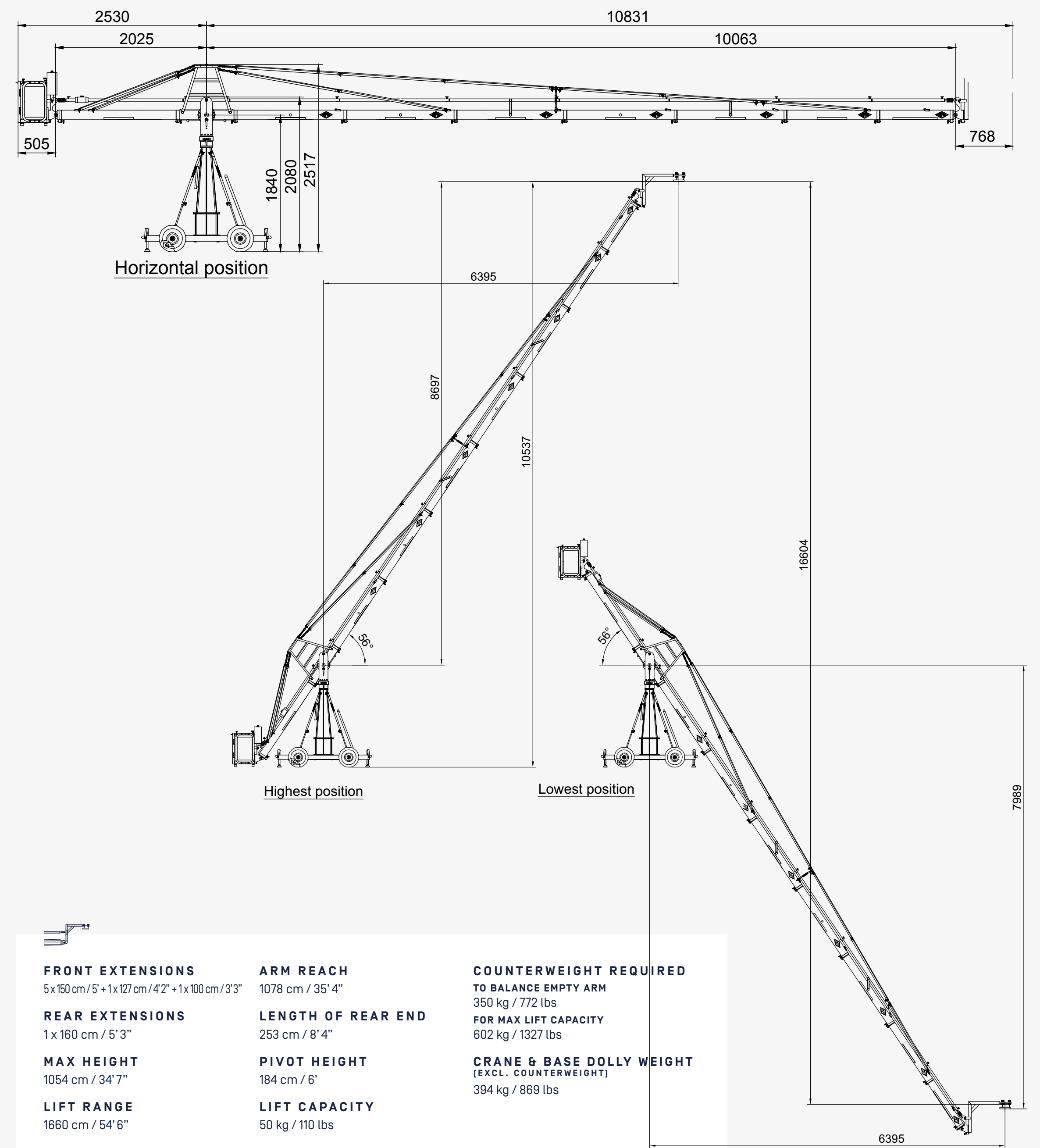
**PIVOT HEIGHT**  
184 cm / 6'

**LIFT CAPACITY**  
65 kg / 143 lbs

**COUNTERWEIGHT REQUIRED TO BALANCE EMPTY ARM**  
288 kg / 635 lbs

**FOR MAX LIFT CAPACITY**  
602 kg / 1327 lbs

**CRANE & BASE DOLLY WEIGHT (EXCL. COUNTERWEIGHT)**  
383 kg / 843 lbs

**VERSION XTEN 8**


**FRONT EXTENSIONS**  
5 x 150 cm / 5' + 1 x 127 cm / 4' 2" + 1 x 100 cm / 3' 3"

**REAR EXTENSIONS**  
1 x 160 cm / 5' 3"

**MAX HEIGHT**  
1054 cm / 34' 7"

**LIFT RANGE**  
1660 cm / 54' 6"

**ARM REACH**  
1078 cm / 35' 4"

**LENGTH OF REAR END**  
253 cm / 8' 4"

**PIVOT HEIGHT**  
184 cm / 6'

**LIFT CAPACITY**  
50 kg / 110 lbs

**COUNTERWEIGHT REQUIRED TO BALANCE EMPTY ARM**  
350 kg / 772 lbs

**FOR MAX LIFT CAPACITY**  
602 kg / 1327 lbs

**CRANE & BASE DOLLY WEIGHT (EXCL. COUNTERWEIGHT)**  
394 kg / 869 lbs

Measurements in mm, unless otherwise specified