



powered by

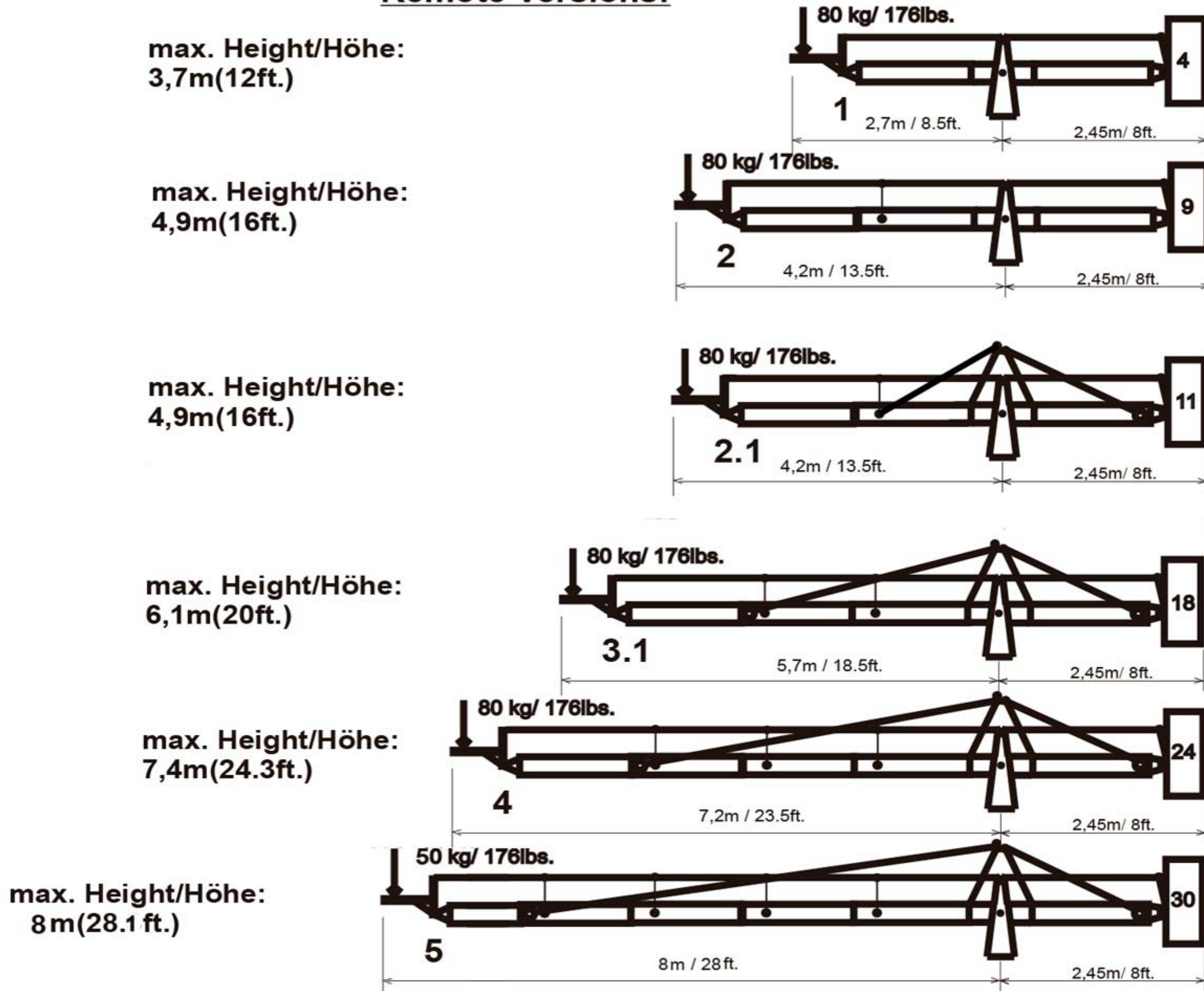


Foxy PRO Crane System:

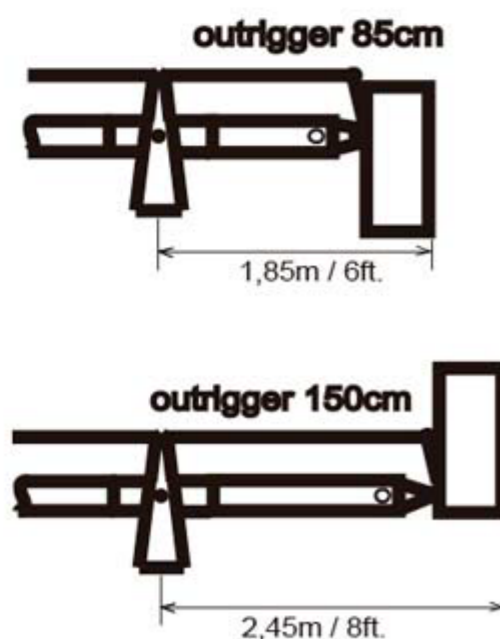
Quick Information
Please look into operating manual for further information!

Foxy PRO

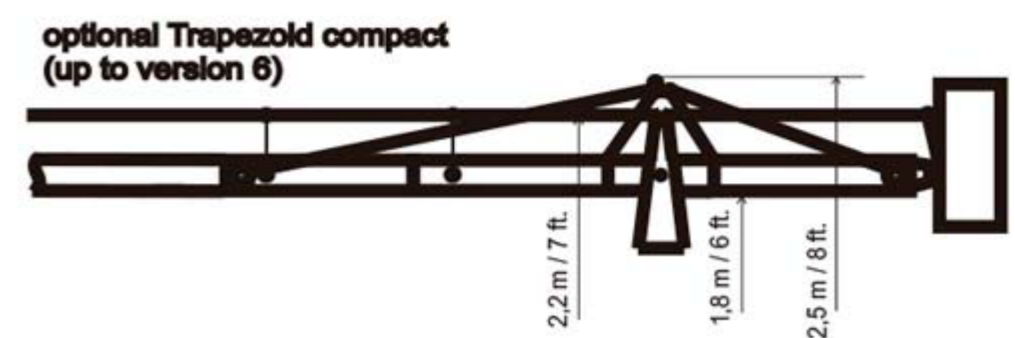
Remote Versions:



Rear side / Hintere Seite:



Trapezoid / Trapez:



Note:
The measurements and weights may differ up to 2% due to production tolerances.
Hinweis:
Die Masse u. Gewichte können aufgrund Fertigungstoleranzen um 2% abweichen.